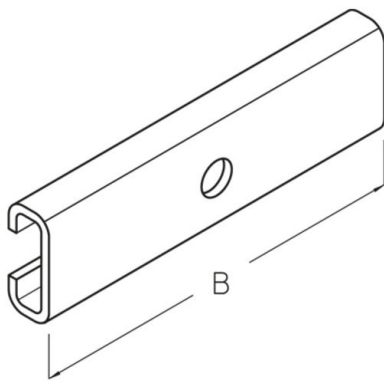


AN support

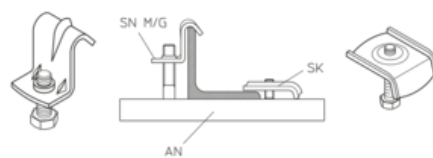
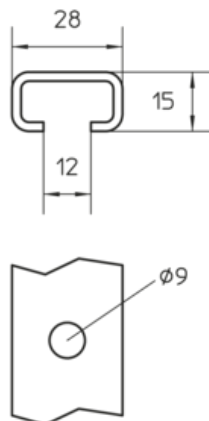


Hot-dip galvanized, according to BS 729 (DIN EN ISO 1461)

Product	B	G
AN 100F	100 mm	10 kg/100

B: width
G: weight

DETAILS / APPLICATIONS





OPTIONAL ACCESSORIES

B, HB, ACF-E

