

AVA

rail connector branch

Hot-dip galvanized, according to BS 729 (DIN EN ISO 1461)

Product	B	L	t	G
AVA-HDG	136 mm	90 mm	6,00 mm	0,36 kg

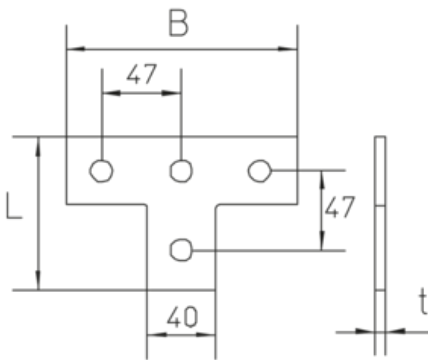
Stainless steel, according to ASTM 31 Ti / AISI 316 L, BS 320S17 / BS 316S11

Product	B	L	t	G
AVA-316	136 mm	90 mm	6,00 mm	0,36 kg

B: width
L: length
t: material thickness
G: weight

DETAILS / APPLICATIONS





OPTIONAL ACCESSORIES

AM22, AMF22

