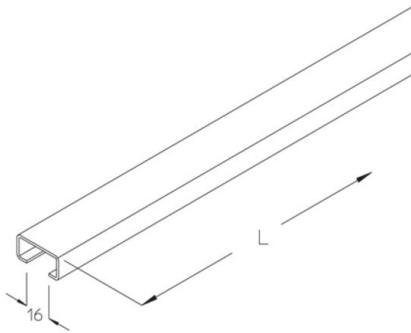


B 7

Profile rail 30x15 mm, not perforated

profile rail 30x15x1.50 mm, without perforation, slot size 16 mm



Bright rolled

Product	H	B	L	t	G
B 7-30B	15 mm	30 mm	3000 mm	1,50 mm	2,2 kg
B 7-60B	15 mm	30 mm	6000 mm	1,50 mm	4,4 kg

Continuously hot galvanized (Sendzimir process) (DIN EN 10346)

Product	H	B	L	t	G
B 7-30S	15 mm	30 mm	3000 mm	1,50 mm	2,3 kg
B 7-60S	15 mm	30 mm	6000 mm	1,50 mm	4,5 kg

Hot-dip galvanized, according to BS 729 (DIN EN ISO 1461)

Product	H	B	L	t	G
B 7-30F	15 mm	30 mm	3000 mm	1,50 mm	2,4 kg
B 7-60F	15 mm	30 mm	6000 mm	1,50 mm	4,8 kg

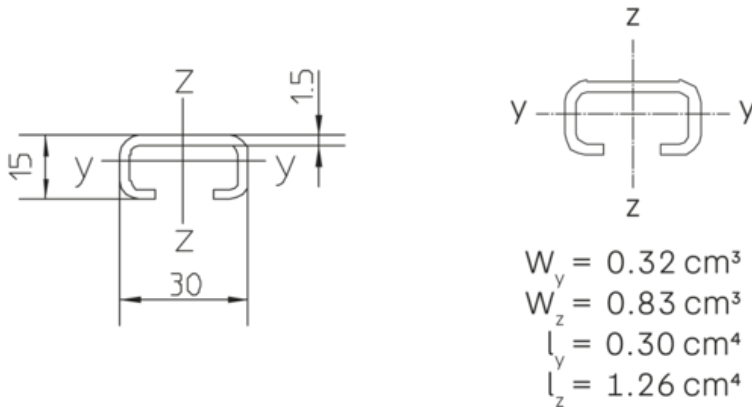
Stainless steel, according to ASTM 304 / BS 304 S 3



Product	H	B	L	t	G
B 7-30E	15 mm	30 mm	3000 mm	1,50 mm	2,2 kg
B 7-60E	15 mm	30 mm	6000 mm	1,50 mm	4,4 kg

H: height
B: width
L: length
t: material thickness
G: weight

DETAILS / APPLICATIONS



OPTIONAL ACCESSORIES

HS16, AM16

