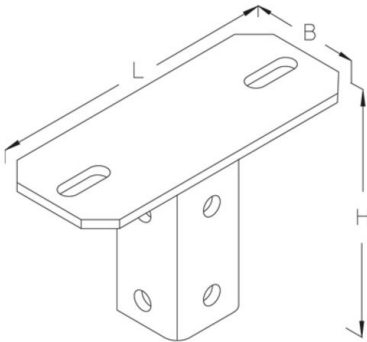


## BGA 41

screwed head plate, KHA 41

assembly plate for fixing bracket support profile KHA 41



Hot-dip galvanized, according to BS 729 (DIN EN ISO 1461)

Product	H	B	L	G
BGA 41-HDG	120 mm	80 mm	200 mm	1,47 kg

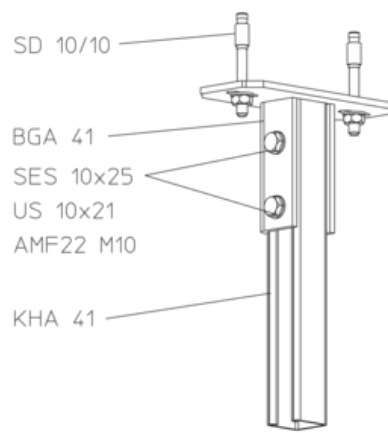
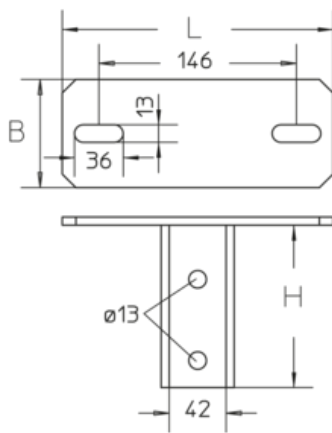
Stainless steel, according to ASTM 31 Ti / AISI 316 L, BS 320S17 / BS 316S11

Product	H	B	L	G
BGA 41-316	120 mm	80 mm	200 mm	1,51 kg

**H:** height  
**B:** width  
**L:** length  
**G:** weight

## DETAILS / APPLICATIONS





## OPTIONAL ACCESSORIES

SD, SKLC M, SKL M, AMF22, AM22, KHA 41

