

## BGF 82

base fitting

Hot-dip galvanized, according to BS 729 (DIN EN ISO 1461)

Product	H	B	L	G
BGF 82-HDG	225 mm	49 mm	305 mm	2,44 kg

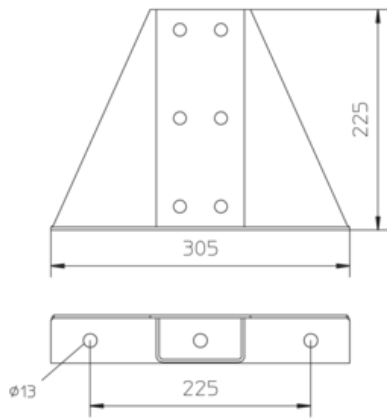
Stainless steel, according to ASTM 31 Ti / AISI 316 L, BS 320S17 / BS 316S11

Product	H	B	L	G
BGF 82-316	225 mm	49 mm	305 mm	2,44 kg

**H:** height  
**B:** width  
**L:** length  
**G:** weight

## DETAILS / APPLICATIONS





## OPTIONAL ACCESSORIES

KHA 82

