

BGI

screwed head plate, KHI

head plate for mounting of bracket support profile I 80 to ceiling

article also available with other inclinations

Hot-dip galvanized, according to BS 729 (DIN EN ISO 1461)

Product	H	B	L	G
BGI F	165 mm	80 mm	200 mm	1,4 kg
incl.:				
2x FRS 10X30F	round-head screw with square, DIN 603			
2x SEM 10F	hexagon-nut, DIN 934			

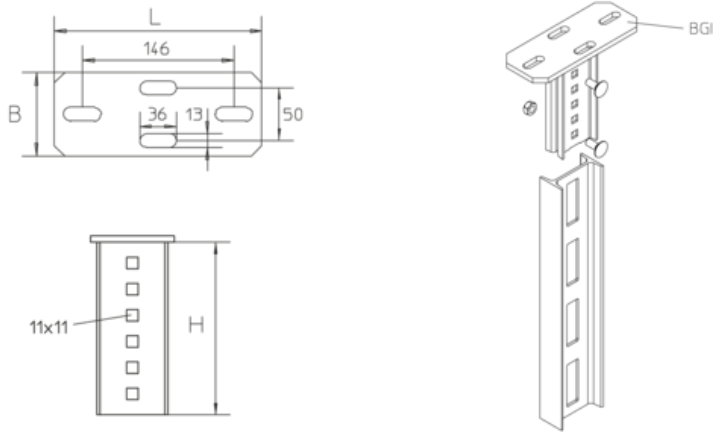
Hot-dip galvanized, according to BS 729 (DIN EN ISO 1461)

Product	H	B	L	G
BGI-HDG	165 mm	80 mm	200 mm	1,54 kg
incl.:				
2x FRS 10X30-HDG	round-head screw with square, DIN 603			
2x SEM 10-HDG	hexagon-nut, DIN 934			

H: height
B: width
L: length
G: weight

DETAILS / APPLICATIONS





OPTIONAL ACCESSORIES

SD

