

BGUD

screwed head plate $\pm 30^\circ$, KHU 40/57/60

Head plate for mounting of bracket support profile U40/ U57/ U60 to ceiling. For angled connection $\pm 30^\circ$.

This article is available made in material No. 1.4571/1.4404 (V4A) stainless steel finish.

galvanized, according to DIN EN ISO 19598 / DIN EN ISO 2081

Product	H	B	L	G
BGUD GV	125 mm	80 mm	200 mm	1,17 kg
incl.:				
2x SES 10X25		hexagon head bolt, DIN 933		
2x SEM 10		hexagon-nut, DIN 934		

Hot-dip galvanized, according to BS 729 (DIN EN ISO 1461)

Product	H	B	L	G
BGUD F	125 mm	80 mm	200 mm	1,3 kg
incl.:				
2x SES 10X25F		hexagon head bolt, DIN 933		
2x SEM 10F		hexagon-nut, DIN 934		

Stainless steel, according to ASTM 304 / BS 304 S 3

Product	H	B	L	G
BGUD E	125 mm	80 mm	200 mm	1,4 kg
incl.:				
2x SES 10X25E		hexagon head bolt, DIN 933		
2x SEM 10E		hexagon-nut, DIN 934		



Hot-dip galvanized, according to BS 729 (DIN EN ISO 1461)

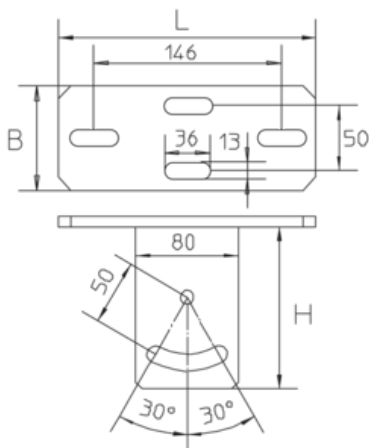
Product	H	B	L	G
BGUD-HDG	125 mm	80 mm	200 mm	1,22 kg
incl.:				
2x SES 10X25-HDG		hexagon head bolt, DIN 933		
2x SEM 10-HDG		hexagon-nut, DIN 934		
2x US 10X30-HDG		washer, DIN EN ISO 7093		

Stainless steel, according to ASTM 304 / BS 304 S 3

Product	H	B	L	G
BGUD-304	125 mm	80 mm	200 mm	1,4 kg
incl.:				
2x SES 10X25-304		hexagon head bolt, DIN 933		
2x SEM 10-304		hexagon-nut, DIN 934		
4x US 10X30-304		washer, DIN EN ISO 7093		

H: height
B: width
L: length
G: weight

DETAILS / APPLICATIONS





OPTIONAL ACCESSORIES

SD

