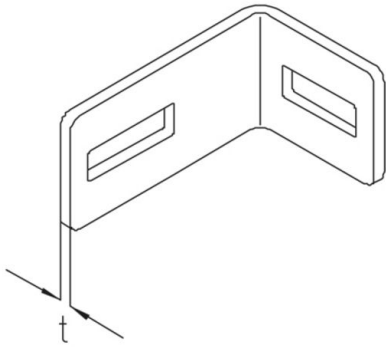


BL 4

corner angle, LGG 60/STU-BS 50 Maintenance of function - Standard support structures

Wall bracket for fixing vertical ladders LGG 60 and STU-BS 50 to the wall.



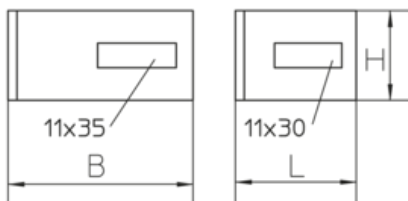
This article is available made in material No. 1.4571/1.4404 (V4A) stainless steel finish. The product can be used for fire protection. For technical parameters, see National Technical Test Certificates (abPs).

Hot-dip galvanized, according to BS 729 (DIN EN ISO 1461)

Product	H	B	L	t	G
BL 4F	40 mm	82,5 mm	54 mm	4,00 mm	0,15 kg

H: height
B: width
L: length
t: material thickness
G: weight

DETAILS / APPLICATIONS





OPTIONAL ACCESSORIES

SD, KLS

