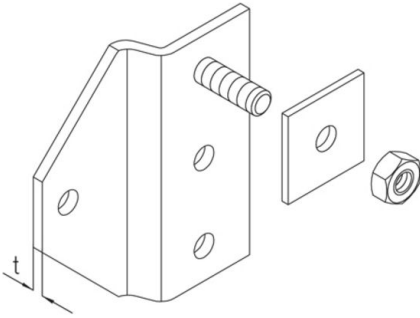


## BLI

corner angle, KHI

Wall bracket for mounting bracket holders KHI on the wall.

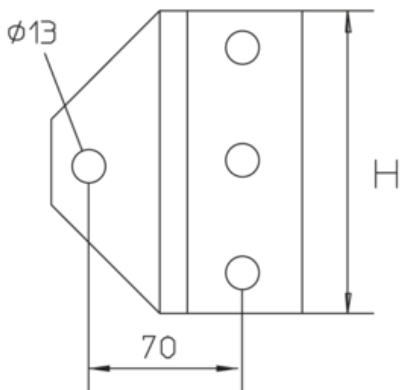


Hot-dip galvanized, according to BS 729 (DIN EN ISO 1461)

Product	H	t	G
BLI F	140 mm	6,00 mm	0,8 kg
incl.:			
1x FRS 12X30F		round-head screw with square, DIN 603	
1x SEM 12F		hexagon-nut, DIN 934	
1x RUS 50-L13F		washer, KHI	

**H:** height  
**t:** material thickness  
**G:** weight

## DETAILS / APPLICATIONS





## OPTIONAL ACCESSORIES

SD

