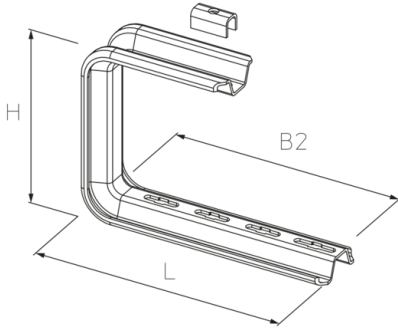


DKSL

ceiling fixed bracket, light-duty

Ceiling bracket, light version made of W-/trapezoidal profile 60x20x2.5 mm, perforated in the center, suspension length 170 mm.



F_D/P : coefficient for calculation of the dowel load F_D with effective bracket load P respectively the sum of effective bracket loads. Load specifications only apply for mounting as ceiling bracket. The spacer KSL-SP must be fitted when installing the ceiling to prevent deformation of the profile due to frictional locking of the fastening screw.

Continuously hot galvanized (Sendzimir process) (DIN EN 10346)

Product	H	B1	B2	L	P_{max}	F_D/P	G
DKSL 020S	170 mm	200 mm	220 mm	240 mm	0,93 kN	2,1	0,79 kg
incl.:							
DKSL 030S	170 mm	300 mm	320 mm	340 mm	0,86 kN	2,7	0,94 kg
incl.:							
DKSL 040S	170 mm	400 mm	420 mm	440 mm	0,61 kN	3,3	1,11 kg
incl.:							

Hot-dip galvanized, according to BS 729 (DIN EN ISO 1461)

Product	H	B1	B2	L	P_{max}	F_D/P	G
DKSL 020F	170 mm	200 mm	220 mm	240 mm	1,09 kN	2,1	0,84 kg
incl.:							
DKSL 030F	170 mm	300 mm	320 mm	340 mm	0,99 kN	2,7	1,00 kg
incl.:							
DKSL 040F	170 mm	400 mm	420 mm	440 mm	0,69 kN	3,3	1,18 kg
incl.:							

H: height
B1: width
B2: width





L: length
P_{max}: Maximum load
F_d/P: dowel-to-anchor load
G: weight

OPTIONAL ACCESSORIES

SD, SAZ, KLRL, KLU

