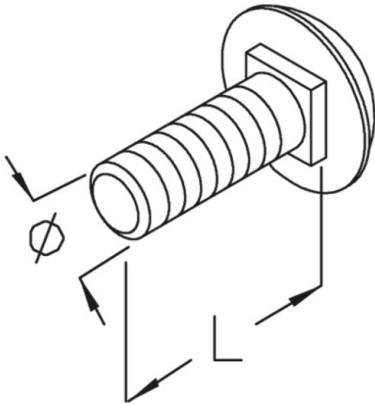


## FRS

round-head screw with square, DIN 603



**galvanized, according to DIN EN ISO 19598 / DIN EN ISO 2081**

Product	L	D	Ø	d	G
FRS 6X25	25 mm	16 mm	6 mm	4 mm	0,7 kg/100
FRS 8X20	20 mm	20 mm	8 mm	5 mm	1,4 kg/100
FRS 8X25	25 mm	20 mm	8 mm	5 mm	1,5 kg/100

**Hot-dip galvanized, according to BS 729 (DIN EN ISO 1461)**

Product	L	D	Ø	d	G
FRS 10X30F	30 mm	24 mm	10 mm	6 mm	4,9 kg/100
FRS 12X30F	30 mm	30 mm	12 mm	8 mm	4,6 kg/100

**Stainless steel, according to ASTM 304 / BS 304 S 3**

Product	L	D	Ø	d	G
FRS 6X20E	20 mm	16 mm	6 mm	4 mm	0,6 kg/100
FRS 6X25E	25 mm	16 mm	6 mm	4 mm	0,7 kg/100
FRS 8X20E	20 mm	20 mm	8 mm	5 mm	1,4 kg/100
FRS 8X25E	25 mm	20 mm	8 mm	5 mm	1,5 kg/100





## Stainless steel, according to ASTM 31 Ti / AISI 316 L, BS 320S17 / BS 316S11

Product	L	D	Ø	d	G
FRS 6X20E4	20 mm	16 mm	6 mm	4 mm	0,8 kg/100
FRS 8X25E4	25 mm	20 mm	8 mm	5 mm	1,4 kg/100

## Hot-dip galvanized, according to BS 729 (DIN EN ISO 1461)

Product	L	D	Ø	d	G
FRS 10X30-HDG	30 mm	24 mm	10 mm	6 mm	4,90 kg/100
FRS 12X30-HDG	30 mm	30 mm	12 mm	8 mm	4,90 kg/100

## Stainless steel, according to ASTM 304 / BS 304 S 3

Product	L	D	Ø	d	G
FRS 6X25-304	25 mm	16 mm	6 mm	4 mm	0,7 kg/100

## Stainless steel, according to ASTM 31 Ti / AISI 316 L, BS 320S17 / BS 316S11

Product	L	D	Ø	d	G
FRS 6X25-316	25 mm	16 mm	6 mm	4 mm	0,70 kg/100
FRS 8X50-316	50 mm	20 mm	8 mm	5 mm	2,5 kg/100

**L:** length  
**D:** diameter  
**Ø:** diameter  
**d:** thickness  
**G:** weight

## DETAILS / APPLICATIONS



