

## GBAR

centre suspension, external

External centre suspension with threaded rod for cable trays. For tray widths of up to 300 mm. A threaded rod (L = 1000 mm) is included in the set.

$F_D/P$ : coefficient for calculation of the dowel load  $F_D$  with effective bracket load  $P$  respectively the sum of effective bracket loads.

### Continuously hot galvanized (Sendzimir process) (DIN EN 10346)

| Product      | B      | L                       | $P_{max}$ | $F_D/P$ | G       |
|--------------|--------|-------------------------|-----------|---------|---------|
| GBAR 10S     | 100 mm | 60 mm                   | 0,7 kN    | 1       | 0,62 kg |
| incl.:       |        |                         |           |         |         |
| 1x GB M10-10 |        | threaded rod, DIN 976-1 |           |         |         |
| 3x SEM 10    |        | hexagon-nut, DIN 934    |           |         |         |
| 1x KLR       |        | clamp fastening set     |           |         |         |
| GBAR 20S     | 200 mm | 160 mm                  | 0,7 kN    | 1       | 0,75 kg |
| incl.:       |        |                         |           |         |         |
| 1x GB M10-10 |        | threaded rod, DIN 976-1 |           |         |         |
| 3x SEM 10    |        | hexagon-nut, DIN 934    |           |         |         |
| 1x KLR       |        | clamp fastening set     |           |         |         |
| GBAR 30S     | 300 mm | 260 mm                  | 0,7 kN    | 1       | 0,88 kg |
| incl.:       |        |                         |           |         |         |
| 1x GB M10-10 |        | threaded rod, DIN 976-1 |           |         |         |
| 3x SEM 10    |        | hexagon-nut, DIN 934    |           |         |         |
| 1x KLR       |        | clamp fastening set     |           |         |         |

### Stainless steel, according to ASTM 304 / BS 304 S 3

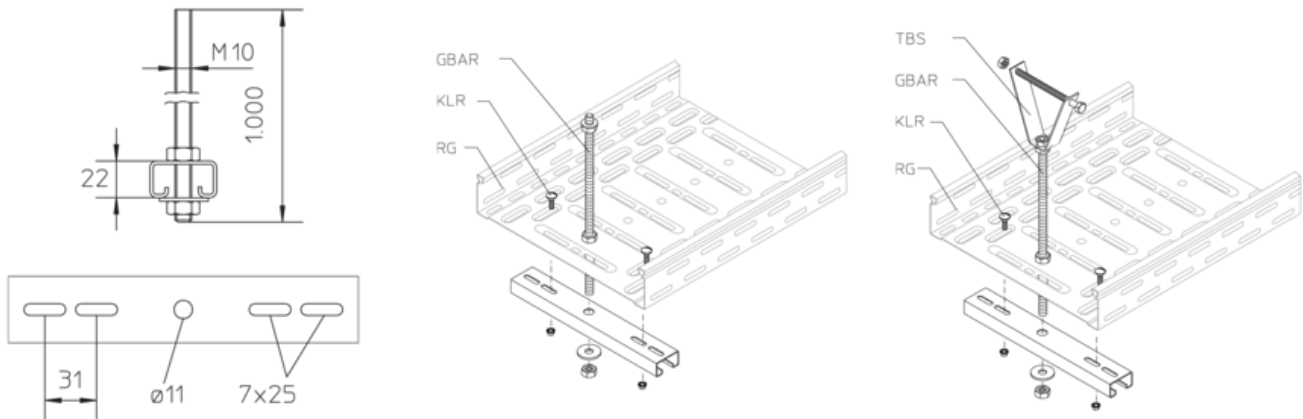
| Product       | B      | L                       | $P_{max}$ | $F_D/P$ | G       |
|---------------|--------|-------------------------|-----------|---------|---------|
| GBAR 10E      | 100 mm | 60 mm                   | 0,7 kN    | 1       | 0,62 kg |
| incl.:        |        |                         |           |         |         |
| 1x GB M10-10E |        | threaded rod, DIN 976-1 |           |         |         |
| 3x SEM 10E    |        | hexagon-nut, DIN 934    |           |         |         |
| 1x KLR E      |        | clamp fastening set     |           |         |         |



| Product       | B      | L                       | $P_{max}$ | $F_D/P$ | G       |
|---------------|--------|-------------------------|-----------|---------|---------|
| GBAR 20E      | 200 mm | 160 mm                  | 0,7 kN    | 1       | 0,75 kg |
| incl.:        |        |                         |           |         |         |
| 1x GB M10-10E |        | threaded rod, DIN 976-1 |           |         |         |
| 3x SEM 10E    |        | hexagon-nut, DIN 934    |           |         |         |
| 1x KLR E      |        | clamp fastening set     |           |         |         |
| GBAR 30E      | 300 mm | 260 mm                  | 0,7 kN    | 1       | 0,88 kg |
| incl.:        |        |                         |           |         |         |
| 1x GB M10-10E |        | threaded rod, DIN 976-1 |           |         |         |
| 3x SEM 10E    |        | hexagon-nut, DIN 934    |           |         |         |
| 1x KLR E      |        | clamp fastening set     |           |         |         |

**B:** width  
**L:** length  
 **$P_{max}$ :** Maximum load  
 **$F_D/P$ :** dowel-to-anchor load  
**G:** weight

## DETAILS / APPLICATIONS



## OPTIONAL ACCESSORIES

SAZ

