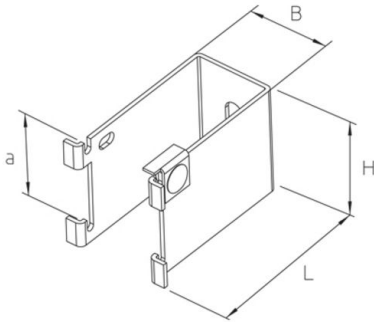


GBH 50

spacer bar for mesh cable tray detent dimension 50



Spacer bar for horizontal-vertical wall fastening of mesh cable trays. Suitable for mounting on the longitudinal wires in the bottom of the mesh cable trays G 50 and G 100 from a width of 316 mm. Two spacer bars are necessary for mounting.

The support distance is to be chosen according to the local conditions, maximum 1 m.

Continuously hot galvanized (Sendzimir process) (DIN EN 10346)

Product	H	B	L	a	G
GBH 50S	65 mm	50 mm	100 mm	50 mm	0,37 kg
incl.:					
1x GBH-SL S	spacer bar safety lug				
1x FRSV 6X12	round-head screw with short square, DIN 603				
1x SEMS 6	hexagon-nut with flange, DIN EN 1661				

Hot-dip galvanized, according to BS 729 (DIN EN ISO 1461)

Product	H	B	L	a	G
GBH 50F	65 mm	50 mm	100 mm	50 mm	0,34 kg
incl.:					
1x GBH-SL F	spacer bar safety lug				
1x FRSV 6X12E	round-head screw with short square, DIN 603				
1x SEMS 6E	hexagon-nut with flange, DIN EN 1661				

Stainless steel, according to ASTM 304 / BS 304 S 3

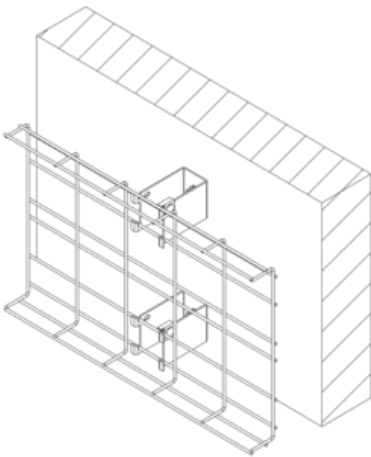
Product	H	B	L	a	G
GBH 50E	65 mm	50 mm	100 mm	50 mm	0,37 kg



Product	H	B	L	a	G
incl.:					
1x GBH-SL E					spacer bar safety lug
1x FRSV 6X12E					round-head screw with short square, DIN 603
1x SEMS 6E					hexagon-nut with flange, DIN EN 1661

H: height
B: width
L: length
a: wire distance
G: weight

DETAILS / APPLICATIONS



OPTIONAL ACCESSORIES

GBH SL

