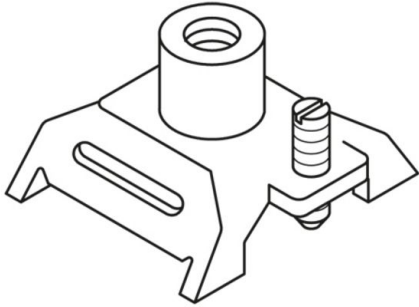


GP
base plate

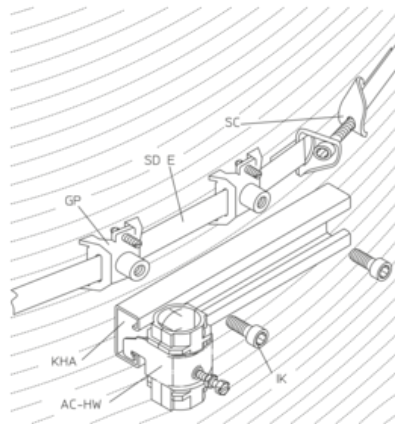
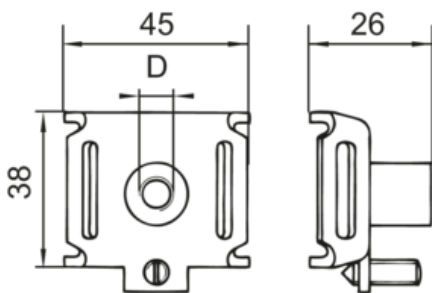


Hot-dip galvanized, according to BS 729 (DIN EN ISO 1461)

Product	D	G
GP 6	6 mm	0,06 kg
GP	8 mm	0,06 kg

D: diameter
G: weight

DETAILS / APPLICATIONS





OPTIONAL ACCESSORIES

SC, SD E

