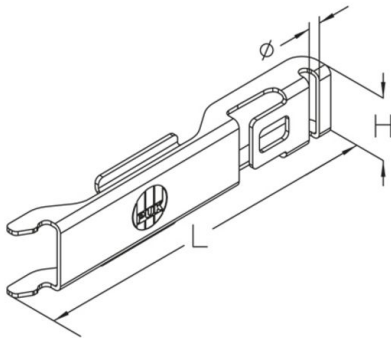


GVR

mesh cable tray snap-in connector



Usable on mesh cable trays with a wire spacing of 100 mm. Universal use of the snap connector for side or bottom connections. Screwless assembly/disassembly. Backlash-free versions for Ø4 mm and Ø4.5 mm wire thickness.

The mesh cable tray locking connector is suitable for mesh cable trays type G 50 for widths up to and including 300 mm and for type G 100 for widths up to and including 200 mm.

Continuously hot galvanized (Sendzimir process) (DIN EN 10346)

Product	H	L	Ø	G
GVR 4.0S	26 mm	131 mm	4,0 mm	0,05 kg

Stainless steel, according to ASTM 304 / BS 304 S 3

Product	H	L	Ø	G
GVR 4.0E	26 mm	131 mm	4,0 mm	0,05 kg

Stainless steel, according to ASTM 31 Ti / AISI 316 L, BS 320S17 / BS 316S11

Product	H	L	Ø	G
GVR 4.0E4	26 mm	131 mm	4,0 mm	0,05 kg

H: height
L: length
Ø: diameter
G: weight



DETAILS / APPLICATIONS

