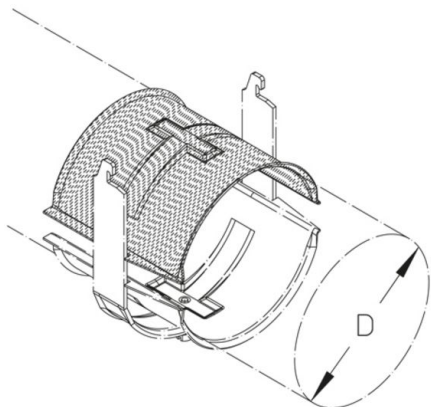


## GW 150-175

counter vat, Ø 150-175 mm

Counter trough to increase the support area of cables on profile.



Hot-dip galvanized, according to BS 729 (DIN EN ISO 1461)

Product	D	G
GW 150	121-150 mm	47,1 kg/100
GW 175	151-175 mm	67,2 kg/100

**D:** diameter

**G:** weight

## DETAILS / APPLICATIONS

