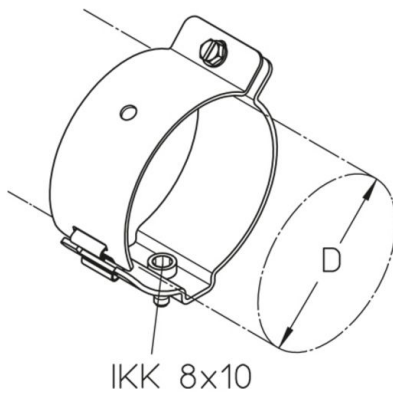


## HF-EM 8 1-4

HF-cable clamp for wall fastening



Zinc coated

| Product   | D                 | G           |
|-----------|-------------------|-------------|
| HF-EM 8 1 | 37 (E 130-190) mm | 13,4 kg/100 |
| HF-EM 8 2 | 50 (E 78-105) mm  | 14,8 kg/100 |
| HF-EM 8 3 | 62 (E 60-70) mm   | 16,9 kg/100 |
| HF-EM 8 4 | 100 (E 38-46) mm  | 24 kg/100   |

**D:** diameter

**G:** weight

## OPTIONAL ACCESSORIES

HF-EE

