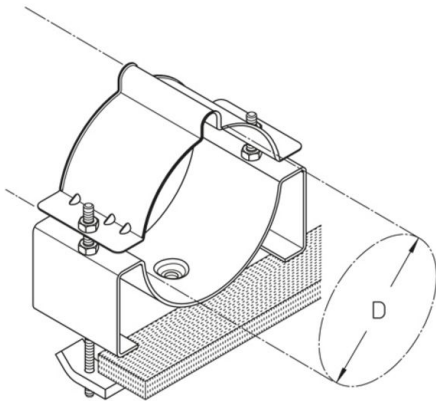


HF-EU 5-6

HF-cable clamp for flat-steel profile fastening

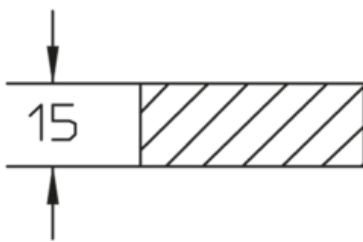


Zinc coated

Product	D	G
HF-EU 5	128 (E 26-30) mm	102 kg/100
HF-EU 6	160 (E 20) mm	117,7 kg/100

D: diameter
G: weight

DETAILS / APPLICATIONS





OPTIONAL ACCESSORIES

HF-EE

