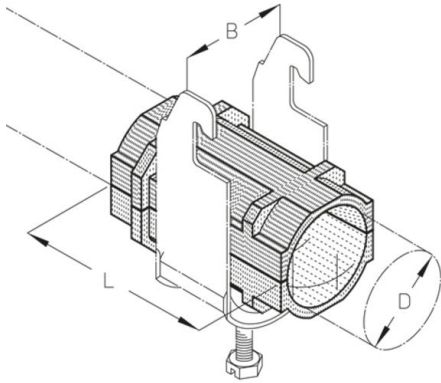


PRODUCT INFORMATION



HW HF vat

HF vat, for high-frequency cable laying with coultter rails.

Polystyrene

Product	B	L	D	G
HW 20-1/2	20 mm	55 mm	17 (1/2") mm	0,46 kg/100
HW 32-7/8	32 mm	60 mm	29 (7/8") mm	1,1 kg/100
HW 44-1 1/4	44 mm	60 mm	39 (1 1/4") mm	1,85 kg/100
HW 56-1 5/8	56 mm	60 mm	51 (1 5/8") mm	2,66 kg/100

B: width
L: length
D: diameter
G: weight

