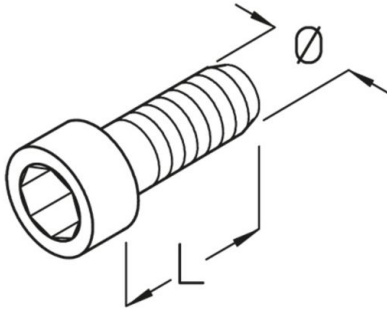


IK

hexagon socket head screw, DIN 912



Stainless steel, according to ASTM 304 / BS 304 S 3

Product	L	D	Ø	IK	G
IK 8X40E	40 mm	13,3 mm	8 mm	6 mm	2,1 kg/100
IK 10X20E	20 mm	16,3 mm	10 mm	8 mm	2,3 kg/100

L: length

D: diameter

Ø: diameter

IK: internal hexagon

G: weight

DETAILS / APPLICATIONS

