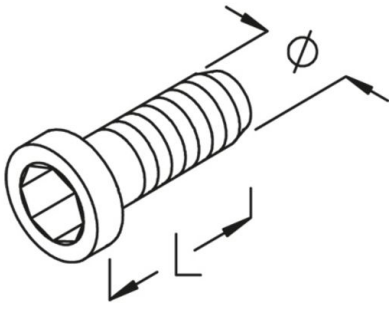


## IKK

hexagon socket head screw, DIN 7984



**Stainless steel, according to ASTM 304 / BS 304 S 3**

Product	L	D	Ø	IK	G
IKK 8X10E	10 mm	13 mm	8 mm	5 mm	1,03 kg/100

**L:** length  
**D:** diameter  
**Ø:** diameter  
**IK:** internal hexagon  
**G:** weight

## DETAILS / APPLICATIONS

