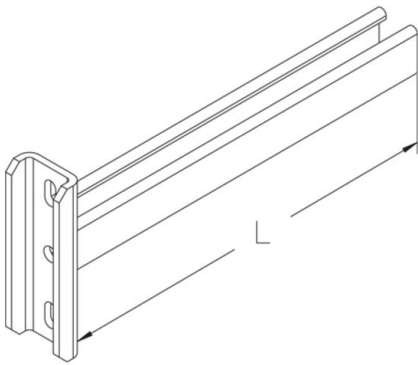


KA 41

handle bracket, standard, KDAG 41, A/KHA 21/41/42/82

Handle bracket as standard version for KDAG 41, A/KHA 21/41/42/82.



Hot-dip galvanized, according to BS 729 (DIN EN ISO 1461)

| Product | B | L | P _{max} | G |
|------------|--------|--------|------------------|--------|
| KA 41-010F | 100 mm | 125 mm | 4,3 kN | 1 kg |
| KA 41-015F | 150 mm | 175 mm | 4,3 kN | 1,1 kg |
| KA 41-020F | 200 mm | 225 mm | 4,3 kN | 1,2 kg |
| KA 41-025F | 250 mm | 275 mm | 4,3 kN | 1,4 kg |
| KA 41-030F | 300 mm | 325 mm | 4,3 kN | 1,5 kg |
| KA 41-040F | 400 mm | 425 mm | 4,3 kN | 1,6 kg |
| KA 41-050F | 500 mm | 525 mm | 4,3 kN | 1,8 kg |
| KA 41-060F | 600 mm | 625 mm | 4,3 kN | 1,9 kg |

B: width

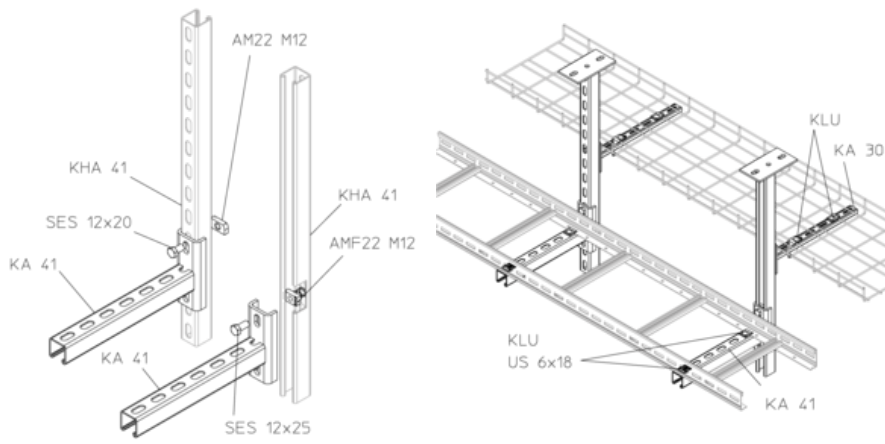
L: length

P_{max}: Maximum load

G: weight

DETAILS / APPLICATIONS





OPTIONAL ACCESSORIES

AM22, AMF22

