

KDU 57

bracket support, 57x30mm Maintenance of function, specified system

Ceiling bracket support, U-profile 57x30x2.5 mm, continuously three-way perforated, with welded head plate (material thickness t), certified according to DIN EN 61537.

The products can be used in fire protection up to a width of 300 mm. For technical parameters, see National Technical Test Certificates (abPs).

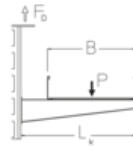
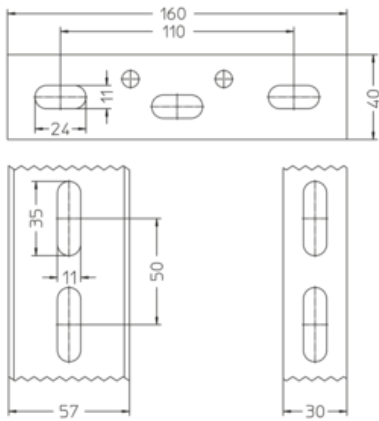
Hot-dip galvanized, according to BS 729 (DIN EN ISO 1461)

Product	L	t	G
KDU 57-02F	200 mm	5,00 mm	0,59 kg
KDU 57-03F	300 mm	5,00 mm	0,77 kg
KDU 57-04F	400 mm	5,00 mm	0,95 kg
KDU 57-05F	500 mm	5,00 mm	1,13 kg
KDU 57-06F	600 mm	5,00 mm	1,31 kg
KDU 57-07F	700 mm	5,00 mm	1,49 kg
KDU 57-08F	800 mm	5,00 mm	1,68 kg
KDU 57-09F	900 mm	5,00 mm	1,86 kg
KDU 57-10F	1000 mm	5,00 mm	2,04 kg

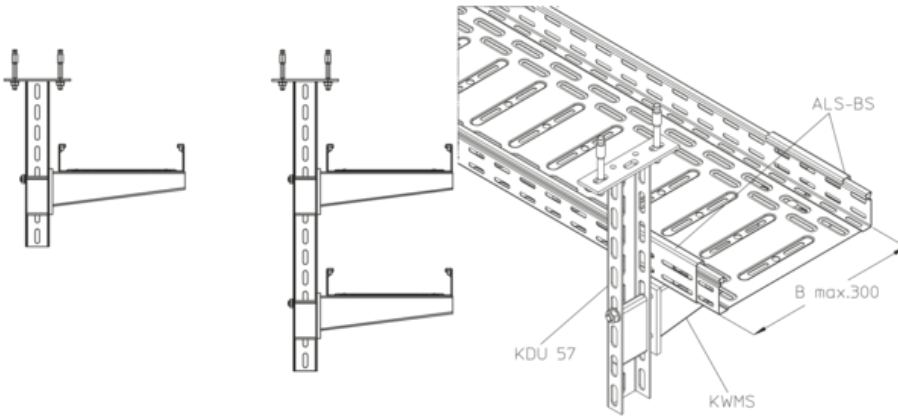
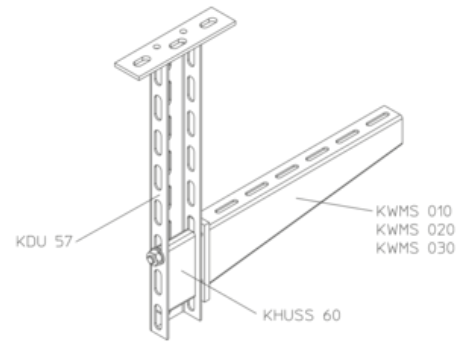
L: length
t: material thickness
G: weight

DETAILS / APPLICATIONS





B mm	L _k mm	P _{max} kN	F _b /P
100	120	6,9	1,4
200	220	4,5	1,9
300	320	3,4	2,3



OPTIONAL ACCESSORIES

SD, SAZ

