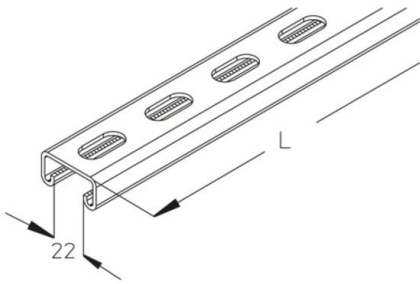


KHAR 21

profile rail, 41x21 mm, perforated, serrated

c-rail, as profile 41x21x2.5 mm, continuously perforated, slot size 22 mm serrated

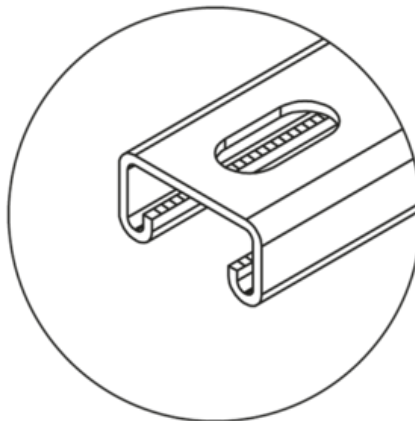
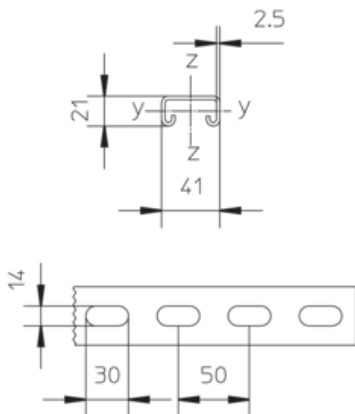


Stainless steel, according to ASTM 31 Ti / AISI 316 L, BS 320S17 / BS 316S11

Product	H	B	L	t	G
KHAR 21-6000-316	21 mm	41 mm	6000 mm	2,50 mm	9,95 kg

H: height
B: width
L: length
t: material thickness
G: weight

DETAILS / APPLICATIONS





OPTIONAL ACCESSORIES

AM22, RUS 41, SA 1, SAI 21

