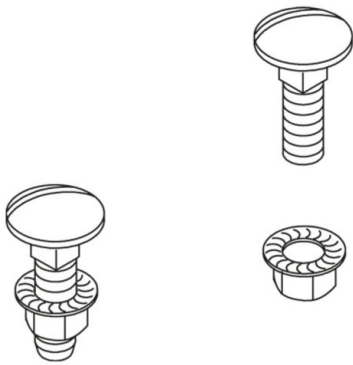


KLR
clamp fastening set



galvanized, according to DIN EN ISO 19598 / DIN EN ISO 2081

Product	G
KLR	1,40 kg/100
incl.:	
2x FRSV 6X12	round-head screw with short square, DIN 603
2x SEMS 6	hexagon-nut with flange, DIN EN 1661

Stainless steel, according to ASTM 31 Ti / AISI 316 L, BS 320S17 / BS 316S11

Product	G
KLR E4	1,60 kg/100
incl.:	
2x FRSV 6X12E4	round-head screw with short square, DIN 603
2x SEM 6E4	hexagon-nut, DIN 934

Stainless steel, according to ASTM 304 / BS 304 S 3

Product	G
KLR E	1,60 kg/100
incl.:	
2x FRSV 6X12E	round-head screw with short square, DIN 603
2x SEMS 6E	hexagon-nut with flange, DIN EN 1661





Stainless steel, according to ASTM 304 / BS 304 S 3

Product	G
KLR 6X25-304	1,80 kg/100
incl:	
2x FRS 6X25-304	round-head screw with square, DIN 603
2x SEMS 6-304	hexagon-nut with flange, DIN EN 1661

G: weight

