

KT

bracket, standard, KDI/KHI

bracket, standard building class, for ceiling bracket support profile I 80, certified according to DIN EN 61357/VDE 0639.

galvanized, according to DIN EN ISO 19598 / DIN EN ISO 2081

Product	H	B1	B2	L	P _{max}	G
KT 010GV	50 mm	100 mm	120 mm	124 mm	2,0 kN	0,24 kg
KT 020GV	70 mm	200 mm	220 mm	224 mm	2,0 kN	0,46 kg
KT 030GV	70 mm	300 mm	320 mm	324 mm	2,0 kN	0,56 kg
KT 040GV	90 mm	400 mm	420 mm	424 mm	2,0 kN	0,90 kg
KT 050GV	110 mm	500 mm	520 mm	524 mm	2,0 kN	1,34 kg
KT 060GV	110 mm	600 mm	620 mm	624 mm	2,1 kN	1,55 kg

Hot-dip galvanized, according to BS 729 (DIN EN ISO 1461)

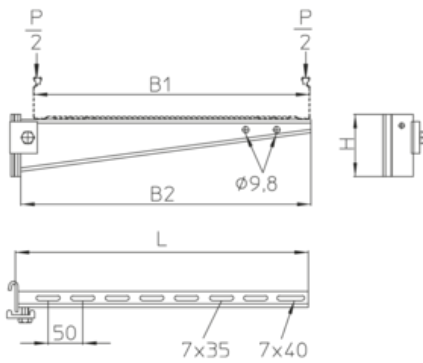
Product	H	B1	B2	L	P _{max}	G
KT 010F	50 mm	100 mm	120 mm	124 mm	2,0 kN	0,24 kg
KT 020F	70 mm	200 mm	220 mm	224 mm	2,0 kN	0,56 kg
KT 030F	70 mm	300 mm	320 mm	324 mm	2,0 kN	0,77 kg
KT 040F	90 mm	400 mm	420 mm	424 mm	2,0 kN	0,87 kg
KT 050F	110 mm	500 mm	520 mm	524 mm	2,0 kN	1,40 kg
KT 060F	110 mm	600 mm	620 mm	624 mm	2,1 kN	1,55 kg

H: height
B1: width
B2: width



L: length
P_{max}: Maximum load
G: weight

DETAILS / APPLICATIONS



OPTIONAL ACCESSORIES

KLU, KLR

