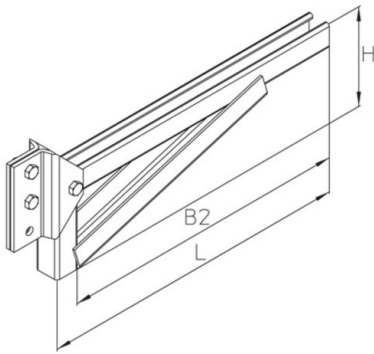


KTSS

bracket, very heavy, KDI/KHI

bracket, very heavy building class, especially for wide-span cable trays, for ceiling bracket support profile I 80, certified according to DIN EN 61357



Hot-dip galvanized, according to BS 729 (DIN EN ISO 1461)

Product	H	B1	B2	L	P _{max}	G
KTSS 020F	100 mm	200 mm	280 mm	321 mm	12,0 kN	3,16 kg
KTSS 030F	135 mm	300 mm	380 mm	421 mm	12,0 kN	3,94 kg
KTSS 040F	165 mm	400 mm	480 mm	521 mm	12,0 kN	4,71 kg
KTSS 050F	200 mm	500 mm	580 mm	621 mm	12,0 kN	5,50 kg
KTSS 060F	230 mm	600 mm	680 mm	721 mm	12,0 kN	6,29 kg

Hot-dip galvanized, according to BS 729 (DIN EN ISO 1461)

Product	H	B1	B2	L	P _{max}	G
KTSS 020-HDG	100 mm	200 mm	280 mm	321 mm	12,0 kN	3,16 kg
KTSS 030-HDG	135 mm	300 mm	380 mm	421 mm	12,0 kN	3,94 kg
KTSS 040-HDG	165 mm	400 mm	480 mm	521 mm	12,0 kN	4,71 kg
KTSS 050-HDG	200 mm	500 mm	580 mm	621 mm	12,0 kN	5,50 kg
KTSS 060-HDG	230 mm	600 mm	680 mm	721 mm	12,0 kN	6,29 kg

H: height
B1: width
B2: width
L: length
P_{max}: Maximum load
G: weight



DETAILS / APPLICATIONS

