

## KWMS

wall/handle bracket, medium duty

Wall/handle bracket, medium-heavy version, with welded-on back plate. Certified according to DIN EN 61537. For mounting on walls or hanging struts.

$F_D/P$ : coefficient for calculation of the dowel load  $F_D$  with effective bracket load  $P$  respectively the sum of effective bracket loads. The load specifications are only valid with sufficient anchoring to the load-bearing substrate or with proper installation on hanging struts.

galvanized, according to DIN EN ISO 19598 / DIN EN ISO 2081

Product	H	B1	B2	L	$P_{max}$	$F_D/P$	G
KWMS 010GV	110 mm	100 mm	115 mm	128 mm	3,8 kN	1,36	0,50 kg
KWMS 020GV	110 mm	200 mm	215 mm	228 mm	3,8 kN	1,81	0,71 kg
KWMS 030GV	110 mm	300 mm	315 mm	328 mm	3,8 kN	2,32	0,92 kg
KWMS 040GV	110 mm	400 mm	415 mm	428 mm	3,8 kN	2,86	1,13 kg
KWMS 050GV	110 mm	500 mm	515 mm	528 mm	3,8 kN	3,42	1,34 kg
KWMS 060GV	110 mm	600 mm	615 mm	628 mm	3,8 kN	3,99	1,54 kg

Hot-dip galvanized, according to BS 729 (DIN EN ISO 1461)

Product	H	B1	B2	L	$P_{max}$	$F_D/P$	G
KWMS 010F	110 mm	100 mm	115 mm	128 mm	3,8 kN	1,36	0,53 kg
KWMS 020F	110 mm	200 mm	215 mm	228 mm	3,8 kN	1,81	0,76 kg
KWMS 030F	110 mm	300 mm	315 mm	328 mm	3,8 kN	2,32	0,99 kg
KWMS 040F	110 mm	400 mm	415 mm	428 mm	3,8 kN	2,86	1,21 kg
KWMS 050F	110 mm	500 mm	515 mm	528 mm	3,8 kN	3,42	1,43 kg
KWMS 060F	110 mm	600 mm	615 mm	628 mm	3,8 kN	3,99	1,65 kg

Stainless steel, according to ASTM 304 / BS 304 S 3





Product	H	B1	B2	L	P <sub>max</sub>	F <sub>d</sub> /P	G
KWMS 010E	110 mm	100 mm	115 mm	128 mm	3,8 kN	1,36	0,51 kg
KWMS 020E	110 mm	200 mm	215 mm	228 mm	3,8 kN	1,81	0,73 kg
KWMS 030E	110 mm	300 mm	315 mm	328 mm	3,8 kN	2,32	0,94 kg
KWMS 040E	110 mm	400 mm	415 mm	428 mm	3,8 kN	2,86	1,16 kg
KWMS 050E	110 mm	500 mm	515 mm	528 mm	3,8 kN	3,42	1,37 kg
KWMS 060E	110 mm	600 mm	615 mm	628 mm	3,8 kN	3,99	1,58 kg

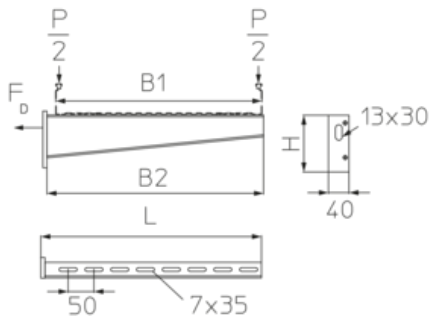
**Stainless steel, according to ASTM 31 Ti / AISI 316 L, BS 320S17 / BS 316S11**

Product	H	B1	B2	L	P <sub>max</sub>	F <sub>d</sub> /P	G
KWMS 010E4	110 mm	100 mm	115 mm	128 mm	3,8 kN	1,36	0,52 kg
KWMS 020E4	110 mm	200 mm	215 mm	228 mm	3,8 kN	1,81	0,74 kg
KWMS 030E4	110 mm	300 mm	315 mm	328 mm	3,8 kN	2,32	0,95 kg
KWMS 040E4	110 mm	400 mm	415 mm	428 mm	3,8 kN	2,86	1,17 kg
KWMS 050E4	110 mm	500 mm	515 mm	528 mm	3,8 kN	3,42	1,38 kg
KWMS 060E4	110 mm	600 mm	615 mm	628 mm	3,8 kN	3,99	1,60 kg

**H:** height  
**B1:** width  
**B2:** width  
**L:** length  
**P<sub>max</sub>:** Maximum load  
**F<sub>d</sub>/P:** dowel-to-anchor load  
**G:** weight

## DETAILS / APPLICATIONS





## OPTIONAL ACCESSORIES

KDU 57, KHU 57, KDU 60, KDU 60, SD, KLR

