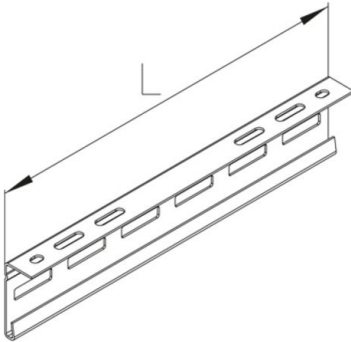


## KWW

wall bracket, standard

Wall bracket, standard version. For mounting on walls.



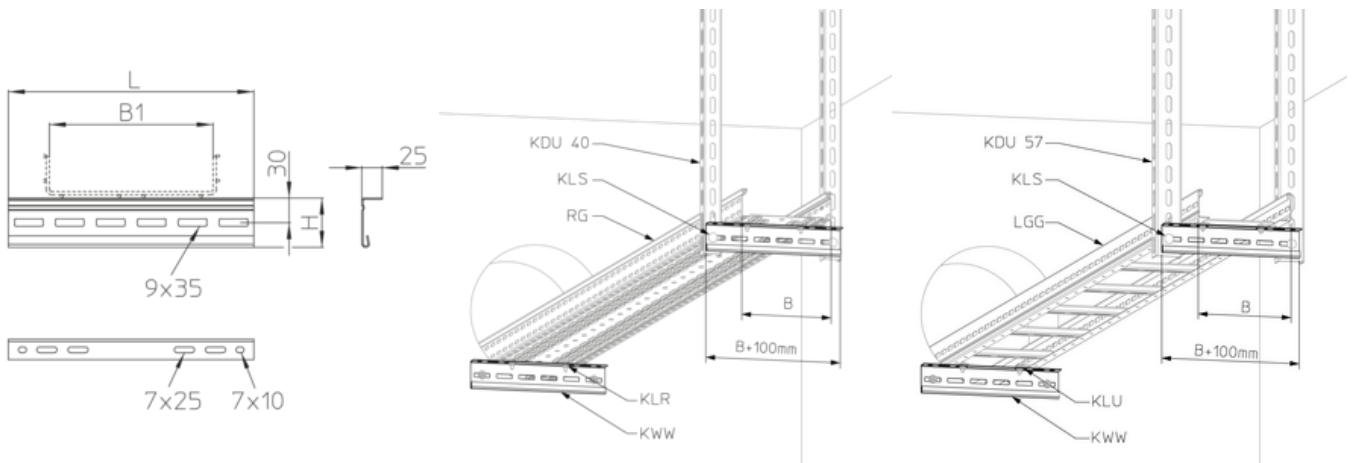
Hot-dip galvanized, according to BS 729 (DIN EN ISO 1461)

Product	H	B1	L	G
KWW 030F	60 mm	24,5 mm	300 mm	0,35 kg
KWW 040F	60 mm	24,5 mm	400 mm	0,47 kg
KWW 050F	60 mm	24,5 mm	500 mm	0,58 kg
KWW 060F	60 mm	24,5 mm	600 mm	0,70 kg
KWW 070F	60 mm	24,5 mm	700 mm	0,82 kg
KWW 080F	60 mm	24,5 mm	800 mm	0,93 kg

**H:** height  
**B1:** width  
**L:** length  
**G:** weight

## DETAILS / APPLICATIONS





## OPTIONAL ACCESSORIES

SD, KLU, KLR

