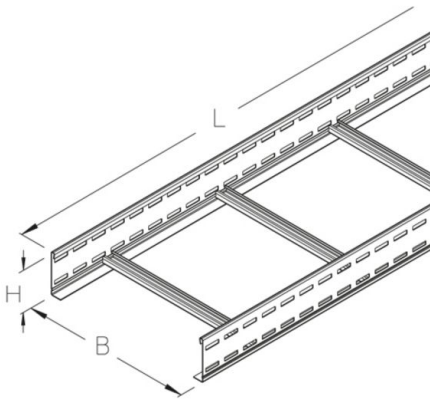


LGGS 100

cable ladder, L-profile, heavy, height = 100 mm

Heavy-duty cable ladder with continuously perforated side beams. Welded rungs made of profile rail 30x15 mm. Electrical conductivity tested according to DIN EN 61537.



Continuously hot galvanized (Sendzimir process) (DIN EN 10346)

Product	H	B	L	A	Q _{LK}	G
LGGS 100-20-3S	100 mm	200 mm	3000 mm	161 cm ²	0,45 kN/m	13,58 kg
LGGS 100-30-3S	100 mm	300 mm	3000 mm	242 cm ²	0,68 kN/m	14,46 kg
LGGS 100-40-3S	100 mm	400 mm	3000 mm	322 cm ²	0,9 kN/m	15,35 kg
LGGS 100-50-3S	100 mm	500 mm	3000 mm	403 cm ²	1,13 kN/m	16,23 kg
LGGS 100-60-3S	100 mm	600 mm	3000 mm	483 cm ²	1,35 kN/m	17,12 kg
LGGS 100-20S	100 mm	200 mm	6000 mm	161 cm ²	0,45 kN/m	27,16 kg
LGGS 100-30S	100 mm	300 mm	6000 mm	242 cm ²	0,68 kN/m	28,93 kg
LGGS 100-40S	100 mm	400 mm	6000 mm	322 cm ²	0,9 kN/m	30,7 kg
LGGS 100-50S	100 mm	500 mm	6000 mm	403 cm ²	1,13 kN/m	32,47 kg
LGGS 100-60S	100 mm	600 mm	6000 mm	483 cm ²	1,35 kN/m	34,23 kg

Hot-dip galvanized, according to BS 729 (DIN EN ISO 1461)

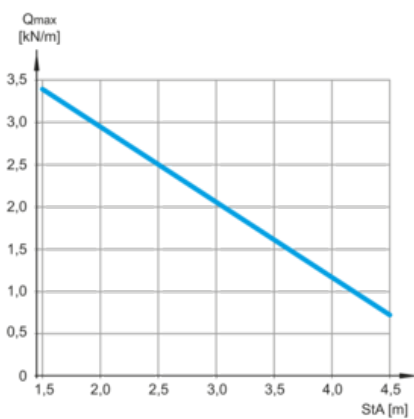
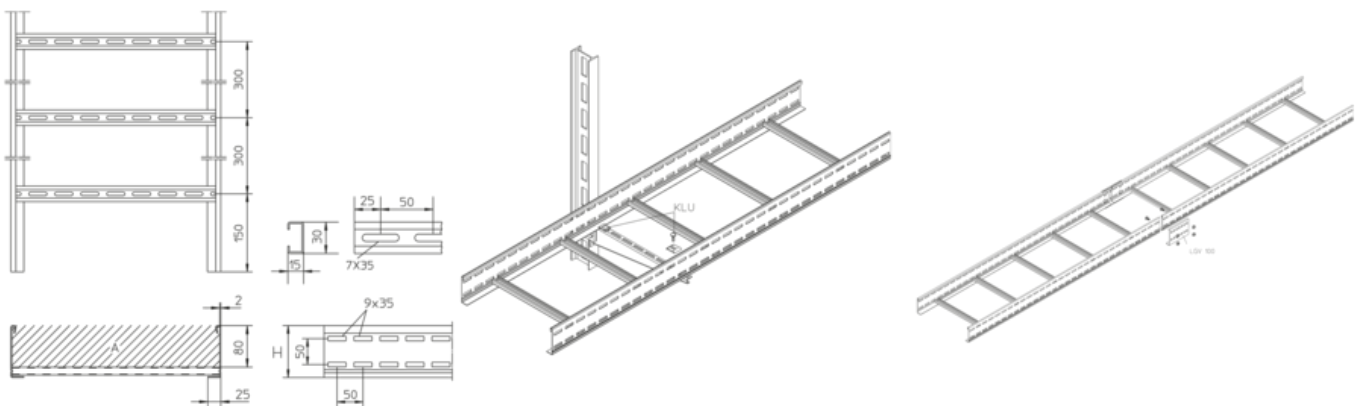
Product	H	B	L	A	Q _{LK}	G
LGGS 100-20-3F	100 mm	200 mm	3000 mm	161 cm ²	0,45 kN/m	14,53 kg
LGGS 100-30-3F	100 mm	300 mm	3000 mm	242 cm ²	0,68 kN/m	15,48 kg
LGGS 100-40-3F	100 mm	400 mm	3000 mm	322 cm ²	0,9 kN/m	16,42 kg
LGGS 100-50-3F	100 mm	500 mm	3000 mm	403 cm ²	1,13 kN/m	17,37 kg
LGGS 100-60-3F	100 mm	600 mm	3000 mm	483 cm ²	1,35 kN/m	18,32 kg
LGGS 100-20F	100 mm	200 mm	6000 mm	161 cm ²	0,45 kN/m	29,06 kg



Product	H	B	L	A	Q_{LK}	G
LGGS 100-30F	100 mm	300 mm	6000 mm	242 cm ²	0,68 kN/m	30,95 kg
LGGS 100-40F	100 mm	400 mm	6000 mm	322 cm ²	0,9 kN/m	32,85 kg
LGGS 100-50F	100 mm	500 mm	6000 mm	403 cm ²	1,13 kN/m	34,74 kg
LGGS 100-60F	100 mm	600 mm	6000 mm	483 cm ²	1,35 kN/m	36,63 kg

H: height
B: width
L: length
A: cross section area
 Q_{LK} : distributed load power cable
G: weight

DETAILS / APPLICATIONS





OPTIONAL ACCESSORIES

LGIB 100, LGAB 100, LGAA 100, LGA 100, LGK 100, LGVB 100, LGV 100, LGVH 100, LGVV 100, LGTR 100, SL 100, LGKAB, KLU, H, LD, LDR



Do not walk upon!



UL classified

