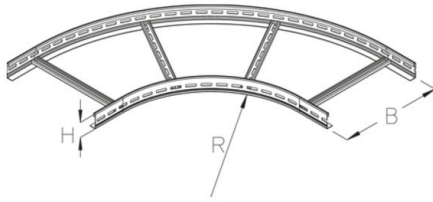


LGIB 60

cable ladder inside bend, height = 60 mm

cable ladder inside bend 90° for horizontal change of direction



This article is available made in material No. 1.4571/1.4404 (V4A) stainless steel finish.



Hot-dip galvanized, according to BS 729 (DIN EN ISO 1461)

Product	H	B	R	G
LGIB 60-20F	60 mm	200 mm	400 mm	3 kg
LGIB 60-30F	60 mm	300 mm	400 mm	3,47 kg
LGIB 60-40F	60 mm	400 mm	400 mm	3,95 kg
LGIB 60-50F	60 mm	500 mm	400 mm	5,16 kg
LGIB 60-60F	60 mm	600 mm	400 mm	5,78 kg

Stainless steel, according to ASTM 304 / BS 304 S 3

Product	H	B	R	G
LGIB 60-20E	60 mm	200 mm	400 mm	2,82 kg
LGIB 60-30E	60 mm	300 mm	400 mm	3,27 kg
LGIB 60-40E	60 mm	400 mm	400 mm	3,72 kg
LGIB 60-50E	60 mm	500 mm	400 mm	4,85 kg
LGIB 60-60E	60 mm	600 mm	400 mm	5,44 kg

H: height

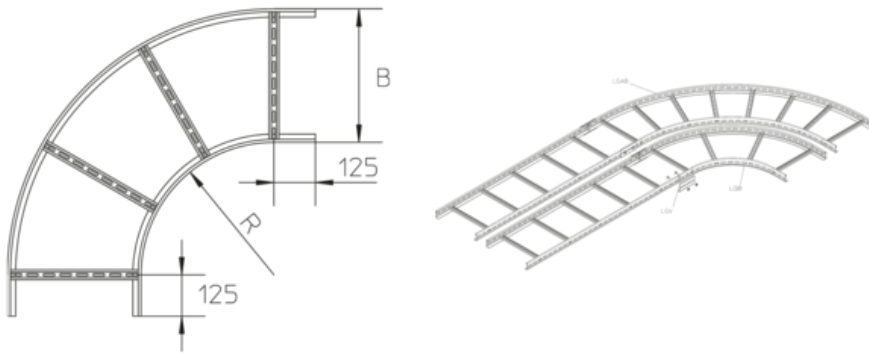
B: width

R: radius

G: weight



DETAILS / APPLICATIONS



OPTIONAL ACCESSORIES

LGV 60, LGVH 60, LGVV 60, KLU, LIBD, LIBDR, LGTRV 60



UL classified

