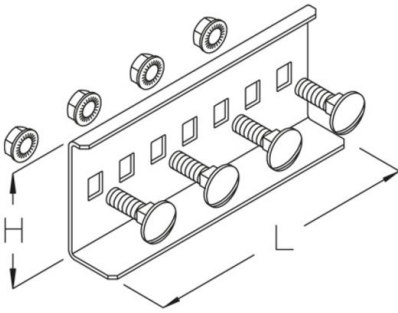


LGV-BS 60

cable ladder connector, height = 60 mm Maintenance of function - Standard support structures

The product can be used for fire protection. For technical parameters, see National Technical Test Certificates (abPs).



Continuously hot galvanized (Sendzimir process) (DIN EN 10346)

Product	H	L	G
LGV-BS 60S	60 mm	150 mm	0,28 kg
incl.:			
4x KLS 8X16	clamp fastening set		

Hot-dip galvanized, according to BS 729 (DIN EN ISO 1461)

Product	H	L	G
LGV-BS 60F	60 mm	150 mm	0,3 kg
incl.:			
4x KLS 8X16E	clamp fastening set		

H: height
L: length
G: weight

DETAILS / APPLICATIONS



