

R 85

cable tray, unperforated, height = 85 mm

cable tray not perforated, head shape suitable for positive locking covers, certified including electrical conductivity according to DIN EN 61537



Continuously hot galvanized (Sendzimir process) (DIN EN 10346)

Product	H	B	L	t	A	Q _{SK}	G
R 85-10S	85 mm	100 mm	3000 mm	0,75 mm	82 cm ²	0,12 kN/m	5,50 kg
R 85-20S	85 mm	200 mm	3000 mm	0,75 mm	167 cm ²	0,25 kN/m	7,20 kg
R 85-30S	85 mm	300 mm	3000 mm	0,88 mm	252 cm ²	0,38 kN/m	10,50 kg
R 85-40S	85 mm	400 mm	3000 mm	0,88 mm	337 cm ²	0,51 kN/m	12,60 kg
R 85-50S	85 mm	500 mm	3000 mm	1,00 mm	422 cm ²	0,63 kN/m	16,70 kg
R 85-60S	85 mm	600 mm	3000 mm	1,00 mm	507 cm ²	0,76 kN/m	19,00 kg

Hot-dip galvanized, according to BS 729 (DIN EN ISO 1461)

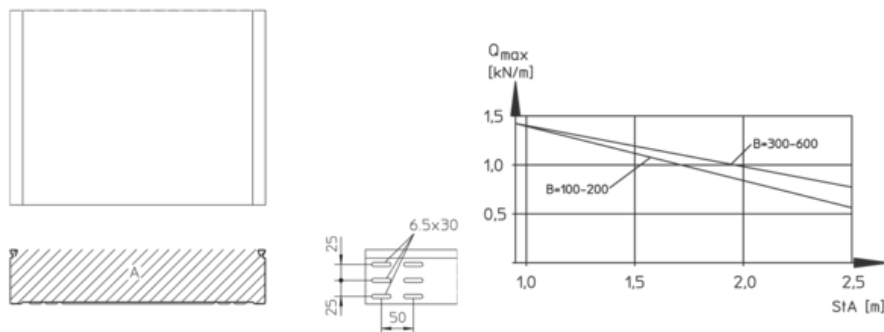
Product	H	B	L	t	A	Q _{SK}	G
R 85-10F	85 mm	100 mm	3000 mm	0,75 mm	82 cm ²	0,12 kN/m	6,10 kg
R 85-20F	85 mm	200 mm	3000 mm	0,75 mm	167 cm ²	0,25 kN/m	8,10 kg
R 85-30F	85 mm	300 mm	3000 mm	0,88 mm	252 cm ²	0,38 kN/m	11,60 kg
R 85-40F	85 mm	400 mm	3000 mm	0,88 mm	337 cm ²	0,51 kN/m	13,90 kg
R 85-50F	85 mm	500 mm	3000 mm	1,00 mm	422 cm ²	0,63 kN/m	18,20 kg
R 85-60F	85 mm	600 mm	3000 mm	1,00 mm	507 cm ²	0,76 kN/m	20,80 kg

H: height
B: width
L: length



t: material thickness
A: cross section area
 Q_{SK} : distributed load control cable
G: weight

DETAILS / APPLICATIONS



OPTIONAL ACCESSORIES

RB 85, RB45 85, RBV 85, RAE 85, RAA 85, RA 85, RK 85, RVB 85, RR 85, RAB 85, REB, RGV 85, VB, RTR 85, KLR, RD, RDR



Do not walk upon!



UL classified

