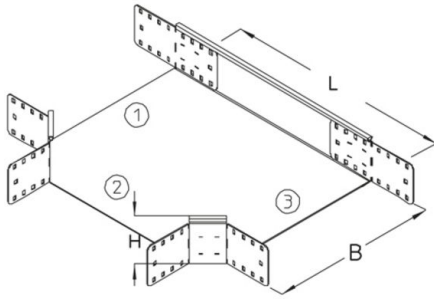


RA 85

cable tray branch, height = 85 mm

cable tray branch in T-shape, integrated connectors



Continuously hot galvanized (Sendzimir process) (DIN EN 10346)

Product	H	B	L	G
RA 85-10S	85 mm	100 mm	214 mm	1,7 kg
incl.: 6x KLR clamp fastening set				
RA 85-20S	85 mm	200 mm	314 mm	2,3 kg
incl.: 6x KLR clamp fastening set				
RA 85-30S	85 mm	300 mm	414 mm	3,1 kg
incl.: 6x KLR clamp fastening set				
RA 85-40S	85 mm	400 mm	514 mm	4,1 kg
incl.: 6x KLR clamp fastening set				
RA 85-50S	85 mm	500 mm	614 mm	5,8 kg
incl.: 6x KLR clamp fastening set				
RA 85-60S	85 mm	600 mm	714 mm	7,4 kg
incl.: 6x KLR clamp fastening set				

Hot-dip galvanized, according to BS 729 (DIN EN ISO 1461)



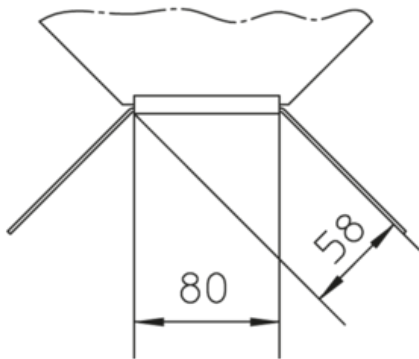


Product	H	B	L	G
RA 85-10F	85 mm	100 mm	214 mm	1,9 kg
incl.: 6x KLR E clamp fastening set				
RA 85-20F	85 mm	200 mm	314 mm	2,5 kg
incl.: 6x KLR E clamp fastening set				
RA 85-30F	85 mm	300 mm	414 mm	3,3 kg
incl.: 6x KLR E clamp fastening set				
RA 85-40F	85 mm	400 mm	514 mm	4,4 kg
incl.: 6x KLR E clamp fastening set				
RA 85-50F	85 mm	500 mm	614 mm	6,2 kg
incl.: 6x KLR E clamp fastening set				
RA 85-60F	85 mm	600 mm	714 mm	7,9 kg
incl.: 6x KLR E clamp fastening set				

H: height
B: width
L: length
G: weight

DETAILS / APPLICATIONS





OPTIONAL ACCESSORIES

VB, RAD, RADR, RTRV 85



UL classified

