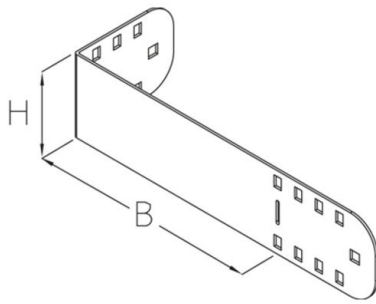


## RAB 85

cable tray closing panel, height = 70 mm



### Continuously hot galvanized (Sendzimir process) (DIN EN 10346)

Product	H	B	G
RAB 85-20S	70 mm	200 mm	0,32 kg
incl.:			
RAB 85-30S	70 mm	300 mm	0,41 kg
incl.:			
RAB 85-40S	70 mm	400 mm	0,49 kg
incl.:			
RAB 85-50S	70 mm	500 mm	0,57 kg
incl.:			
RAB 85-60S	70 mm	600 mm	0,65 kg
incl.:			

### Hot-dip galvanized, according to BS 729 (DIN EN ISO 1461)

Product	H	B	G
RAB 85-20F	70 mm	200 mm	0,46 kg
incl.:			
RAB 85-30F	70 mm	300 mm	0,58 kg
incl.:			
RAB 85-40F	70 mm	400 mm	0,7 kg
incl.:			





Product	H	B	G
RAB 85-50F	70 mm	500 mm	0,82 kg
incl.:			
RAB 85-60F	70 mm	600 mm	0,94 kg
incl.:			

**H:** height  
**B:** width  
**G:** weight

