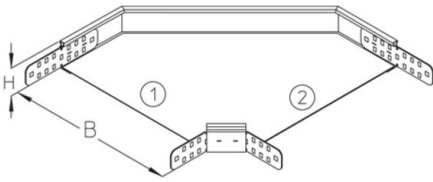


RB 60

cable tray bend, height = 60 mm

cable tray bend 90° for horizontal change of direction with integrated connectors



This article is available made in material No. 1.4571/1.4404 (V4A) stainless steel finish.



Continuously hot galvanized (Sendzimir process) (DIN EN 10346)

Product	H	B	G
RB 60-10S	60 mm	100 mm	0,8 kg
incl.:			
RB 60-20S	60 mm	200 mm	1,1 kg
incl.:			
RB 60-30S	60 mm	300 mm	1,6 kg
incl.:			
RB 60-40S	60 mm	400 mm	2,2 kg
incl.:			
RB 60-50S	60 mm	500 mm	3,1 kg
incl.:			
RB 60-60S	60 mm	600 mm	4 kg
incl.:			

Hot-dip galvanized, according to BS 729 (DIN EN ISO 1461)

Product	H	B	G
RB 60-10F	60 mm	100 mm	0,9 kg
incl.:			
RB 60-20F	60 mm	200 mm	1,2 kg
incl.:			





Product	H	B	G
RB 60-30F	60 mm	300 mm	1,7 kg
incl.:			
RB 60-40F	60 mm	400 mm	2,4 kg
incl.:			
RB 60-50F	60 mm	500 mm	3,3 kg
incl.:			
RB 60-60F	60 mm	600 mm	4,3 kg
incl.:			

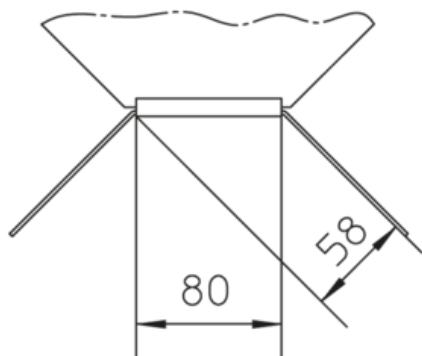
Stainless steel, according to ASTM 304 / BS 304 S 3

Product	H	B	G
RB 60-10E	60 mm	100 mm	0,7 kg
incl.:			
2x KLR E	clamp fastening set		
RB 60-20E	60 mm	200 mm	1 kg
incl.:			
2x KLR E	clamp fastening set		
RB 60-30E	60 mm	300 mm	1,5 kg
incl.:			
2x KLR E	clamp fastening set		
RB 60-40E	60 mm	400 mm	2,1 kg
incl.:			
2x KLR E	clamp fastening set		
RB 60-50E	60 mm	500 mm	2,9 kg
incl.:			
2x KLR E	clamp fastening set		
RB 60-60E	60 mm	600 mm	3,9 kg
incl.:			
2x KLR E	clamp fastening set		

H: height
B: width
G: weight



DETAILS / APPLICATIONS



OPTIONAL ACCESSORIES

VB, RBD, RBDR, RTRV 60



UL classified

