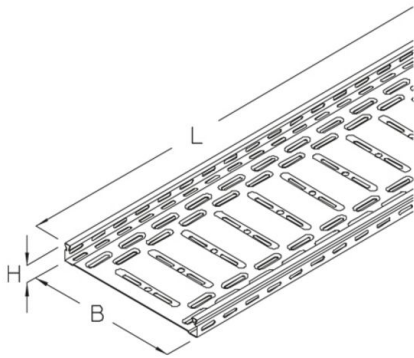


RG 35

cable tray, perforated, height = 35 mm

cable tray perforated, head shape suitable for positive locking covers, with longitudinal and lateral reinforcing rims reducing bottom deflection, certified including electrical conductivity according to DIN EN 61537



Continuously hot galvanized (Sendzimir process) (DIN EN 10346)

| Product | H | B | L | t | A | Q _{sk} | G |
|-----------|-------|--------|---------|---------|---------------------|-----------------|---------|
| RG 35-05S | 35 mm | 50 mm | 3000 mm | 0,75 mm | 15 cm ² | 0,02 kN/m | 2,62 kg |
| RG 35-10S | 35 mm | 100 mm | 3000 mm | 0,75 mm | 32 cm ² | 0,05 kN/m | 3,50 kg |
| RG 35-20S | 35 mm | 200 mm | 3000 mm | 0,75 mm | 67 cm ² | 0,10 kN/m | 5,20 kg |
| RG 35-30S | 35 mm | 300 mm | 3000 mm | 0,75 mm | 102 cm ² | 0,15 kN/m | 6,00 kg |

Hot-dip galvanized, according to BS 729 (DIN EN ISO 1461)

| Product | H | B | L | t | A | Q _{sk} | G |
|-----------|-------|--------|---------|---------|---------------------|-----------------|---------|
| RG 35-05F | 35 mm | 50 mm | 3000 mm | 0,75 mm | 15 cm ² | 0,02 kN/m | 2,94 kg |
| RG 35-10F | 35 mm | 100 mm | 3000 mm | 0,75 mm | 32 cm ² | 0,05 kN/m | 3,82 kg |
| RG 35-20F | 35 mm | 200 mm | 3000 mm | 0,75 mm | 67 cm ² | 0,10 kN/m | 5,60 kg |
| RG 35-30F | 35 mm | 300 mm | 3000 mm | 0,75 mm | 102 cm ² | 0,15 kN/m | 7,60 kg |

H: height

B: width

L: length

t: material thickness

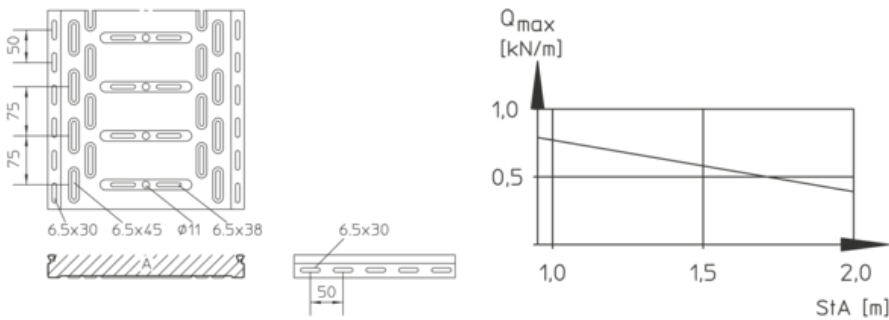
A: cross section area

Q_{sk}: distributed load control cable

G: weight



DETAILS / APPLICATIONS



OPTIONAL ACCESSORIES

RB 35, RB45 35, RBV 35, RAE 35, RAA 35, RA 35, RK 35, RVB 35, RR 35, RAB 35, REB, RGV 35, VB, RTR 35, KLR, RD, RDR



Do not walk upon!



UL classified

