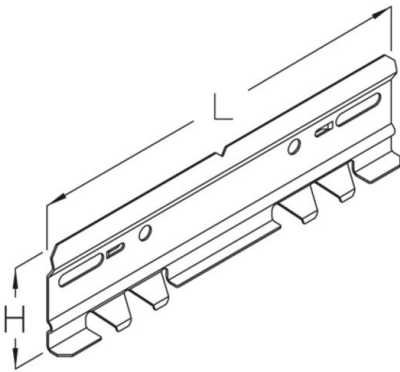


RGVS 60

cable tray side snap connector, height = 60 mm

Flexible snap connector for variable cable tray lengths.

The side connector is only suitable for the cable trays type RG 60 and R 60.



Continuously hot galvanized (Sendzimir process) (DIN EN 10346)

Product	H	L	G
RGVS 60S	60 mm	230 mm	0,12 kg

Hot-dip galvanized, according to BS 729 (DIN EN ISO 1461)

Product	H	L	G
RGVS 60F	60 mm	230 mm	0,13 kg

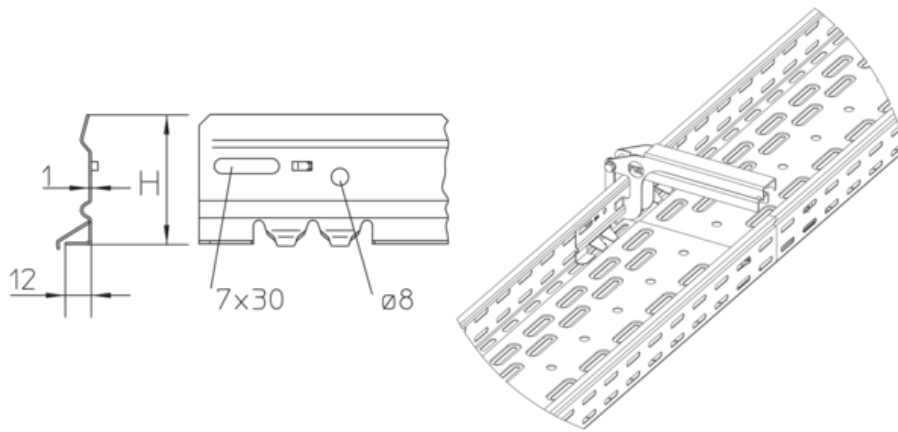
Stainless steel, according to ASTM 31 Ti / AISI 316 L, BS 320S17 / BS 316S11

Product	H	L	G
RGVS 60E	60 mm	230 mm	0,12 kg

H: height
L: length
G: weight

DETAILS / APPLICATIONS





OPTIONAL ACCESSORIES

RGVST

