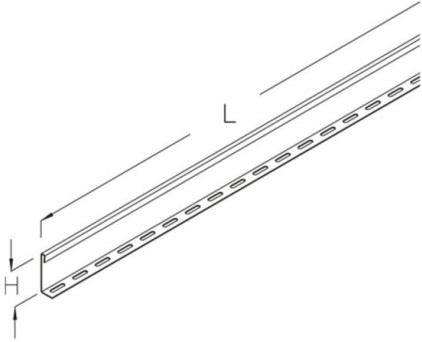


## RITR 60

cable installation tray separating strip, height = 58 mm

cable tray separating strip including fastening bolts



Continuously hot galvanized (Sendzimir process) (DIN EN 10346)

Product	H	L	G
RITR 60S	58 mm	3000 mm	2,24 kg
incl.:			
3x KLR	clamp fastening set		

**H:** height

**L:** length

**G:** weight

## DETAILS / APPLICATIONS

