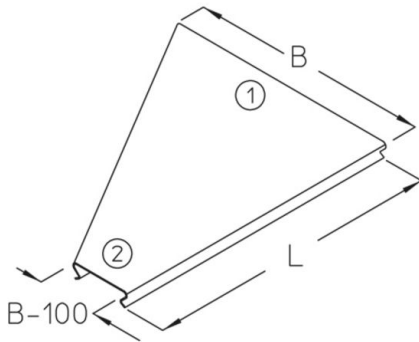


RRD

cable tray reducer cover

cable tray reducer cover, positive locking



Please quote the design (left, centred, right) and the side width with your order. This article is available made in material No. 1.4571/1.4404 (V4A) stainless steel finish.

Continuously hot galvanized (Sendzimir process) (DIN EN 10346)

Product	B	L	G
RRD 20S	200 mm	500 mm	0,55 kg
RRD 30S	300 mm	500 mm	1,13 kg
RRD 40S	400 mm	500 mm	1,52 kg
RRD 50S	500 mm	500 mm	2,39 kg
RRD 60S	600 mm	500 mm	2,88 kg

Hot-dip galvanized, according to BS 729 (DIN EN ISO 1461)

Product	B	L	G
RRD 20F	200 mm	500 mm	0,59 kg
RRD 30F	300 mm	500 mm	1,21 kg
RRD 40F	400 mm	500 mm	1,63 kg
RRD 50F	500 mm	500 mm	2,56 kg
RRD 60F	600 mm	500 mm	3,08 kg

Stainless steel, according to ASTM 304 / BS 304 S 3

Product	B	L	G
RRD 20E	200 mm	500 mm	0,59 kg





Product	B	L	G
RRD 30E	300 mm	500 mm	1,13 kg
RRD 40E	400 mm	500 mm	1,53 kg
RRD 50E	500 mm	500 mm	2,40 kg
RRD 60E	600 mm	500 mm	2,90 kg

B: width
L: length
G: weight

