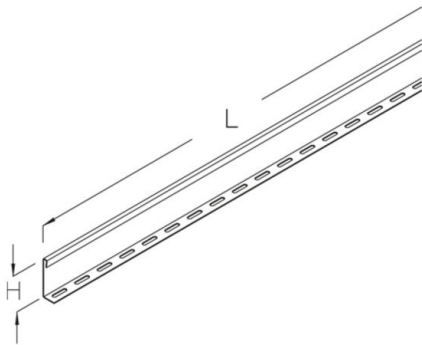


RTR 60

cable tray separating strip, height = 50 mm

cable tray separating strip including fastening bolts



Continuously hot galvanized (Sendzimir process) (DIN EN 10346)

Product	H	L	G
RTR 60S	50 mm	3000 mm	2,1 kg
incl.:			
3x KLR	clamp fastening set		

Hot-dip galvanized, according to BS 729 (DIN EN ISO 1461)

Product	H	L	G
RTR 60F	50 mm	3000 mm	2,2 kg
incl.:			
3x KLR E	clamp fastening set		

Stainless steel, according to ASTM 304 / BS 304 S 3

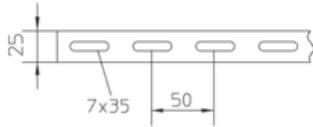
Product	H	L	G
RTR 60E	50 mm	3000 mm	2,1 kg
incl.:			
3x KLR E	clamp fastening set		

H: height



L: length
G: weight

DETAILS / APPLICATIONS



OPTIONAL ACCESSORIES

KLF

