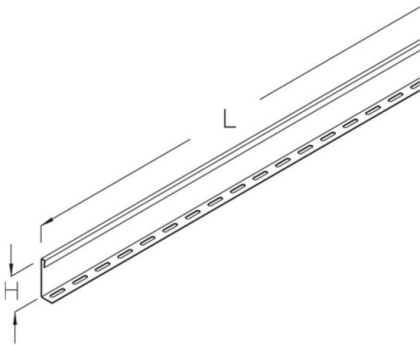


RTR 85

cable tray separating strip, height = 80 mm

cable tray separating strip including fastening bolts



Continuously hot galvanized (Sendzimir process) (DIN EN 10346)

Product	H	L	G
RTR 85S	80 mm	3000 mm	2,7 kg
incl.:			
3x KLR	clamp fastening set		

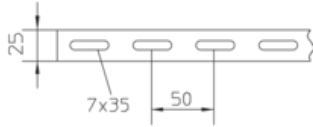
Hot-dip galvanized, according to BS 729 (DIN EN ISO 1461)

Product	H	L	G
RTR 85F	80 mm	3000 mm	2,9 kg
incl.:			
3x KLR E	clamp fastening set		

H: height
L: length
G: weight

DETAILS / APPLICATIONS





OPTIONAL ACCESSORIES

KLF

