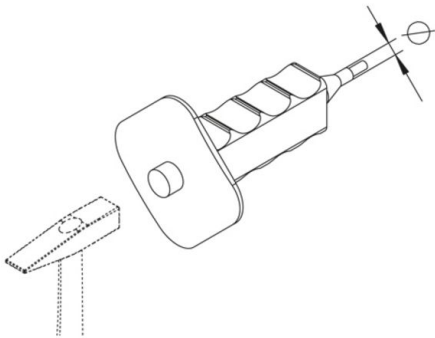


SA-D anchor

manufacturer's information has to be observed strictly.



galvanized, according to DIN EN ISO 19598 / DIN EN ISO 2081

Product	Ø	G
SA-D 8	8 mm	0,45 kg
SA-D 10	10 mm	0,30 kg
SA-D 12	12 mm	0,31 kg

Ø: diameter

G: weight

