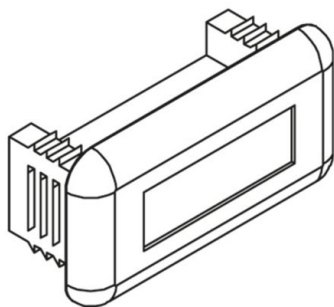


SAI 21

protective cap, white/black



Protective cap for insertion, for profile rails with internal dimensions 36x11.5 mm. To cover and protect the profile ends.

For trouble-free installation of the protective cap, a distance of min. 50 mm to the end of the profile must be observed.

Polyethylen

Product	color	G
SAI 21-black-PE	black	0,01 kg
SAI 21-white-PE	white	0,01 kg
SAI 21-yellow-PE	yellow	0,01 kg

color:
G: weight

