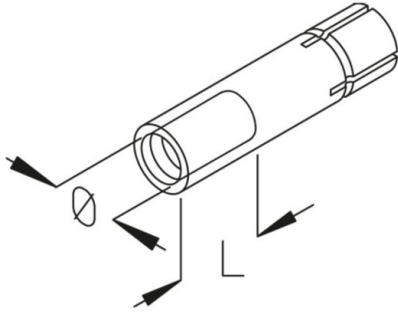


SAZ anchor



Permissible as single fastening. Permissible load in cracked and non-cracked normal concrete of strength \geq C20/25. Manufacturer's information has to be observed strictly (ETA-06/0271).

galvanized, according to DIN EN ISO 19598 / DIN EN ISO 2081

Product	L	L _{min}	D	Ø	Pzul	PzulR30	PzulR90	G
SAZ 6	8-13 mm	43 mm	12 mm	6 mm	2,4 kN	1,0 kN	0,4 kN	3,2 kg/100
SAZ 8	11-17 mm	43 mm	10 mm	8 mm	1,6 kN	0,9 kN	0,7 kN	1,4 kg/100
SAZ 10	13-19 mm	43 mm	12 mm	10 mm	3,0 kN	2,3 kN	1,1 kN	1,9 kg/100
SAZ 12	15-21 mm	43 mm	14 mm	12 mm	3,6 kN	2,8 kN	1,4 kN	2,6 kg/100

Stainless steel, according to ASTM 31 Ti / AISI 316 L, BS 320S17 / BS 316S11

Product	L	L _{min}	D	Ø	Pzul	PzulR30	PzulR90	G
SAZ 8E4	11-17 mm	43 mm	10 mm	8 mm	1,6 kN	0,9 kN	0,7 kN	1,4 kg/100
SAZ 10E4	13-19 mm	43 mm	12 mm	10 mm	3,0 kN	2,3 kN	1,1 kN	1,9 kg/100
SAZ 12E4	15-21 mm	43 mm	14 mm	12 mm	3,6 kN	2,8 kN	1,4 kN	2,6 kg/100

L: length

L_{min}: Minimum drilling depth

D: diameter

Ø: diameter

Pzul: permissible tractive force

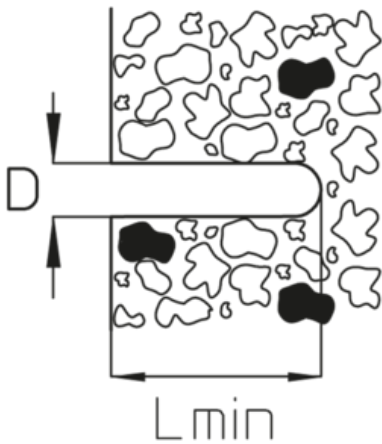
PzulR30: permissible tensile load under the influence of fire (30min)

PzulR90: permissible tensile load under the influence of fire (90min)

G: weight



DETAILS / APPLICATIONS



OPTIONAL ACCESSORIES

SAZ-B, SAZ-D

