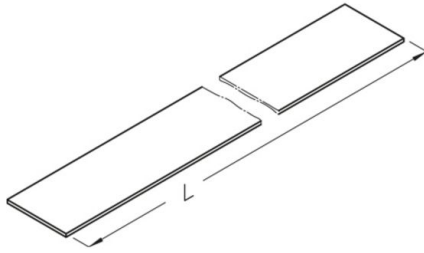


SD E

fastening strip

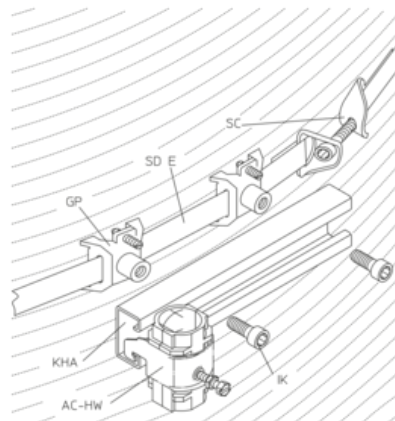
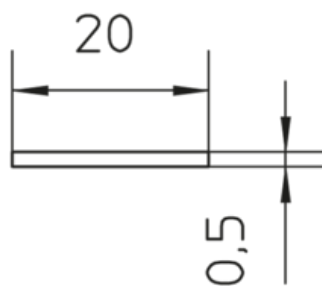


Stainless steel, according to ASTM 304 / BS 304 S 3

Product	L	Pzul	G
SD E	1000 mm	< 2 kN	7,9 kg/100
SD E 50M	50000 mm	< 2 kN	-

L: length
Pzul: permissible tractive force
G: weight

DETAILS / APPLICATIONS





OPTIONAL ACCESSORIES

GP, SC

