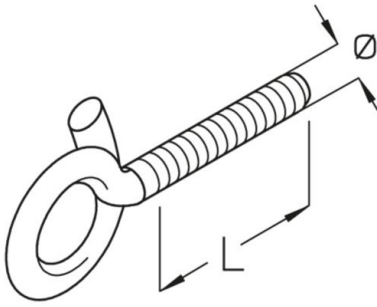


SHS
eyebolt

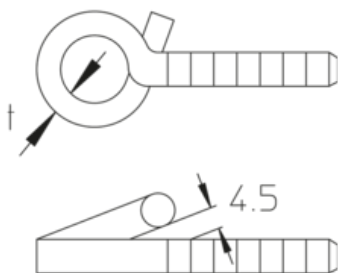


galvanized, according to DIN EN ISO 19598 / DIN EN ISO 2081

Product	L	Ø	t	G
SHS 6X40	40 mm	6 mm	5,20 mm	2 kg/100
SHS 8X45	45 mm	8 mm	7,00 mm	4 kg/100

L: length
Ø: diameter
t: material thickness
G: weight

DETAILS / APPLICATIONS



$$P_{max} = 0,4 \text{ kN}$$





OPTIONAL ACCESSORIES

KNK

