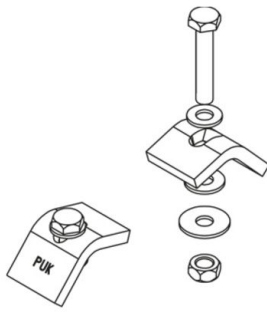
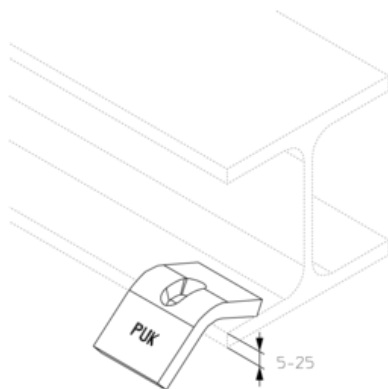


SKL M beam clamp set

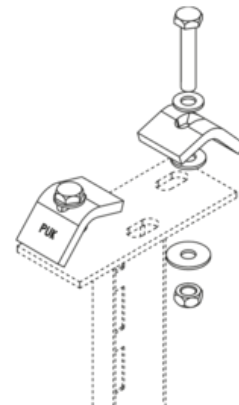
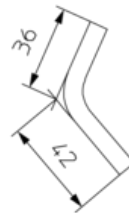
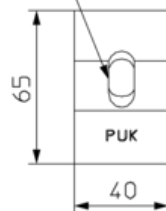


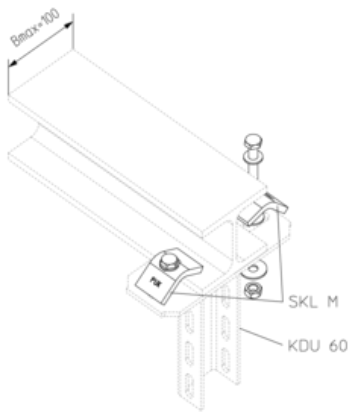
k: clamping range
P_{max}: Maximum load
M: torque
G: weight

DETAILS / APPLICATIONS



LGL 11x20





OPTIONAL ACCESSORIES

KDU 60, KDU 60, KDU 60, KHA 2, HS22

