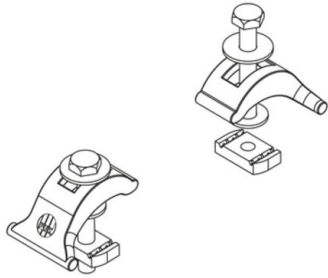


## SKS A

clamping claw, heavy, A/KHA 21/41/42/82



Hot-dip galvanized, according to BS 729 (DIN EN ISO 1461)

Product	k	P <sub>max</sub>	M	G
SKS A-HDG	10 - 30 mm	20 kN	50 Nm	0,56 kg/set
incl.:				
2x SES 10X75-HDG		hexagon head bolt, DIN 933		
2x AM22 M10-HDG		channel nut, A 41, KHA 41, KHAL 41		
2x US 10X30-HDG		washer, DIN EN ISO 7093		
2x UVS M10X24-PE		captive washer		

**k:** clamping range

**P<sub>max</sub>:** Maximum load

**M:** torque

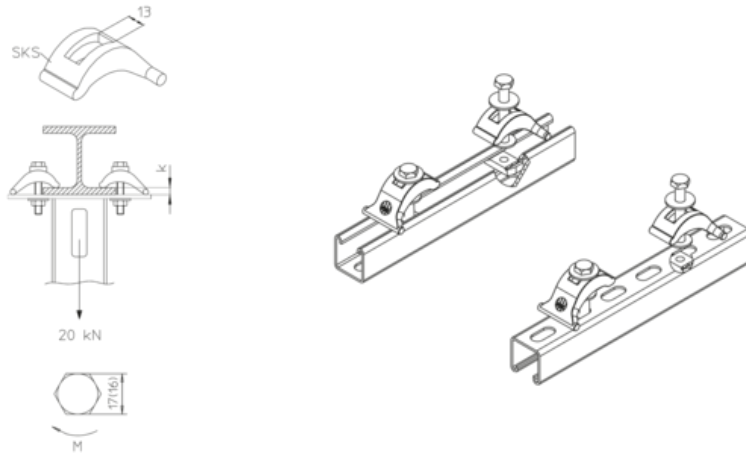
**G:** weight

## DETAILS / APPLICATIONS



# PRODUCT INFORMATION

---



## OPTIONAL ACCESSORIES

A 41, KHA 41

