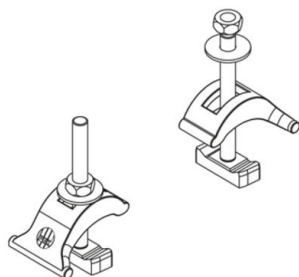


SKS H

beam clamp set



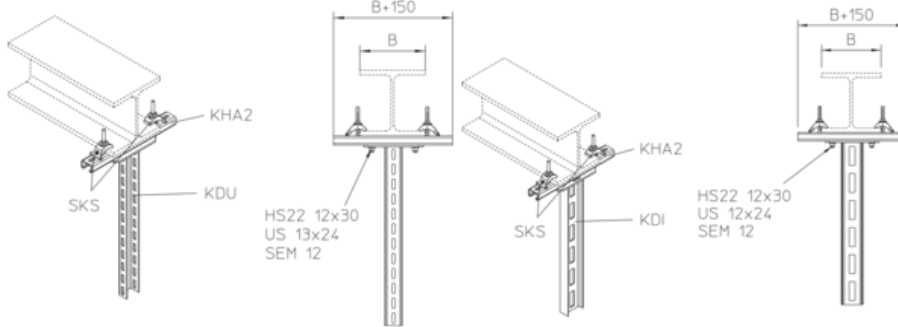
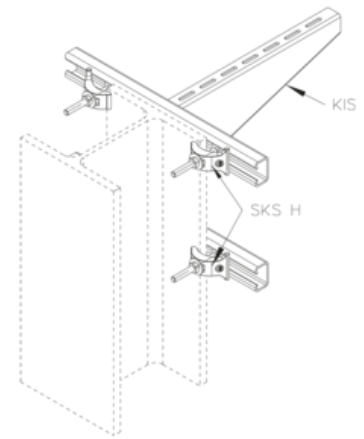
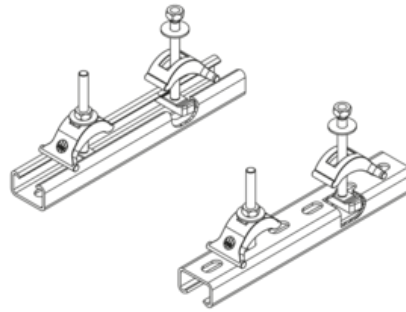
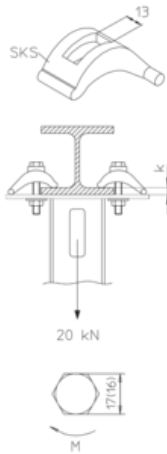
Hot-dip galvanized, according to BS 729 (DIN EN ISO 1461)

Product	k	P _{max}	M	G
SKS H-HDG	10 - 30 mm	20 kN	50 Nm	0,61 kg/set
incl.:				
2x HS22 10X80-HDG		tee-head bolt, A2/ A4		
2x US 10X30-HDG		washer, DIN EN ISO 7093		

k: clamping range
P_{max}: Maximum load
M: torque
G: weight

DETAILS / APPLICATIONS





OPTIONAL ACCESSORIES

KHA 2

